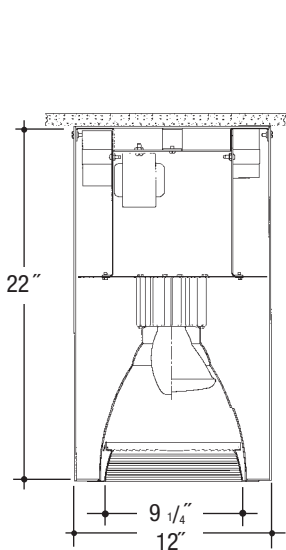


Architectural Cylinders

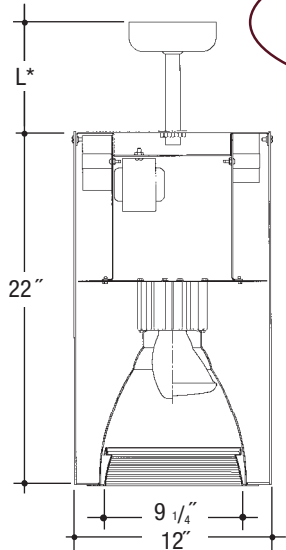
Job Name _____

Type _____

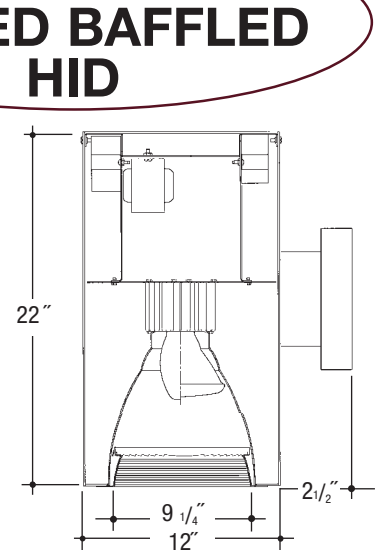
**12"x22"
LENSED BAFFLED
HID**



VC1222MH – Ceiling Mount



VP1222MH – Pendant Mount



VW1222MH – Wall Mount

Cylinder – HID (ED28; ED17; PAR38; PAR30 Enclosed Rated* Lamp). *Note: 'Enclosed Fixture Rated' lamp must be used. Specular Clear "Alzak" Reflector Lensed and Baffled

Catalog Number

VC1222MHE
VP1222MHE
VW1222MHE

Wattage

175W MAX, ED17
150W PAR38, ED17
100W PAR38, ED17
70W PAR30, ED17

Ballast

E

Voltage

1
2
4

Finish

WHT
BLK
BZ
CS

Splay

SCL/BL
SCL/WH

Lens

11
14
16

Options

QR
QS

For PAR Lamp – Replace **VC1222MHE** with **VC1222MHEP**
Mogul Base – Replace **VC1222MHE** with **VC1222MHEM**
HPS – Replace **MH** with **HPS-VC1222HPSE**
HPS – High Pressure Sodium available up to 175 Watt ED17.

Specifications

Housing – .064" extruded aluminum cylinder. Polyester powdercoat exterior finish with factory standard finishes of White (WHT), Black (BLK), Bronze (BZ), Camero Silver (CS).

Socket – Open Rated, Pulse Rated, 4KV, medium or mogul base porcelain with nickel plated brass screw shell.

Ballast – 50/60Hz Multi-tap electronic ballast to operate from range of 120V to 277V +/- 10%. Minimum starting temperature of -30°C/-20°F. *UL Listed* component.

Reflector – Heavy gauge hand spun aluminum reflector with a specular clear "Alzak" finish and baffled splay/lens holder. (Factory Standard) Flange painted to match cylinder color.

Pendant – Pendant mount accepts slope ceilings with a 45° swivel adjustment.
L* – Factory Standard stem length is 12".

Wall Bracket – Cast Aluminum Construction.

Voltage

1 120 Volt
2 277 Volt
4 208 Volt

Ballast

E Electronic

Splay/Lens Options ▲

11 Tempered Clear Lens
14 Tempered C73 Prismatic Lens
16 Tempered Fresnel Lens
SCL/BL Black Baffle
SCL/WH White Baffle

Options ▲

QR Quartz Restrike
QS Quartz Socket

Features

Manufactured and Listed to UL 1598,
ETL and CSA standards.
Suitable for Damp Locations
Wet location under covered ceiling



▲ See Options and Finishes pages for a list of additional finishes and equipment.

Vantage reserves the right to change components, finishes or design details in any manner which does not alter the installed appearance or reduce performance and intended function.

76 Community Avenue Plainfield, CT 06374
voice (860) 564.4512 fax (860) 564.4854
www.vantageitg.com

11/11



VANTAGE