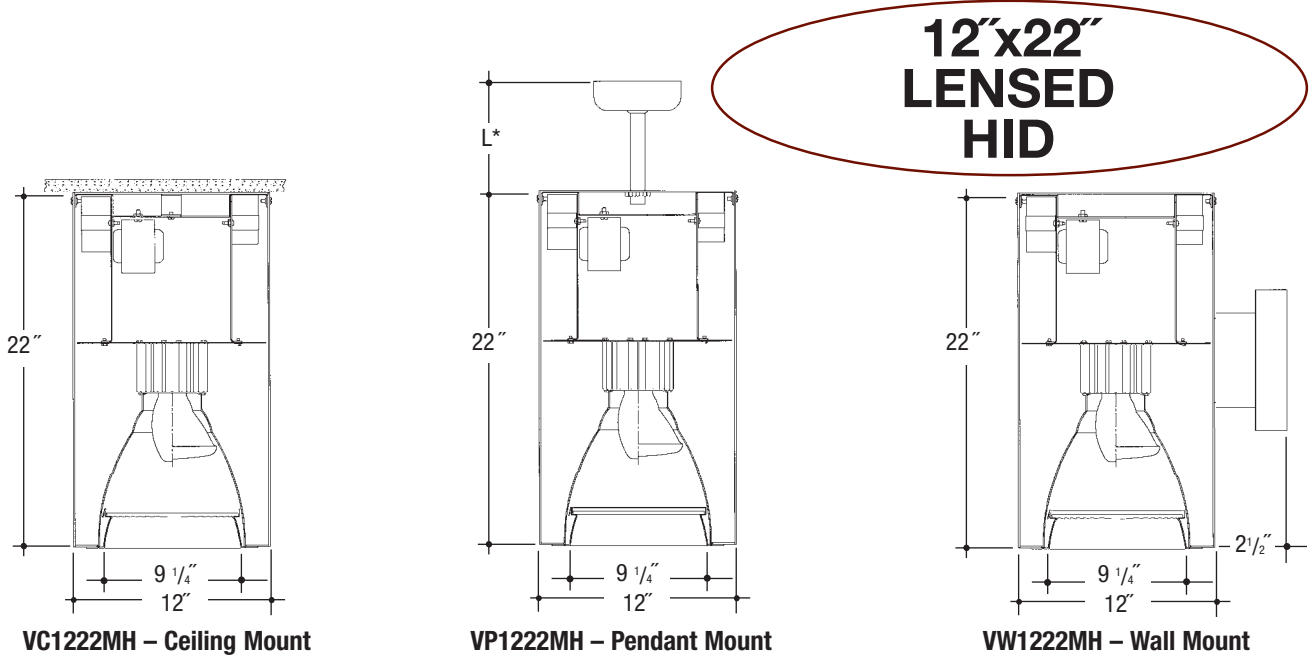


Architectural Cylinders

Job Name _____

Type _____



Cylinder – HID (ED28; ED17; PAR38; PAR30 Enclosed Rated* Lamp). *Note: 'Enclosed Fixture Rated' lamp must be used. Specular Clear "Alzak" Reflector Lensed

Catalog Number	Wattage	Ballast	Voltage	Finish	Splay	Lens	Options
VC1222MHE							
VP1222MHE	175W MAX, ED17	E	1	WHT	SCL	11	QR
VW1222MHE	150W PAR38, ED17 100W PAR38, ED17 70W PAR30, ED17		2 3 4	BLK BZ CS	SGO WHT	14 16	QS

For PAR Lamp – Replace VC1222MHE with VC1222MHEP
Mogul Base – Replace VC1222MHE with VC1222MHEM
HPS – Replace MH with HPS-VC1222HPSE
HPS – High Pressure Sodium available up to 175 Watt ED17.

Specifications

Housing – .064" extruded aluminum cylinder. Polyester powdercoat exterior finish with factory standard finishes of White (WHT), Black (BLK), Bronze (BZ), Camero Silver (CS).

Socket – Open Rated, Pulse Rated, 4KV, medium or mogul base porcelain with nickel plated brass screw shell.

Ballast – 50/60Hz Multi-tap electronic ballast to operate from range of 120V to 277V +/- 10%. Minimum starting temperature of -30°C/-20°F. *UL Listed* component.

Reflector – Heavy gauge hand spun aluminum reflector with a specular clear "Alzak" finish and white splay/lens holder. (Factory Standard)

Pendant – Pendant mount accepts slope ceilings with a 45° swivel adjustment. L* – Factory Standard stem length is 12".

Wall Bracket – Cast Aluminum Construction.

Voltage

- 1 120 Volt
- 2 277 Volt
- 3 347 Volt
- 4 208 Volt

Ballast

- E Electronic

Reflector Options ▲

- 11 Tempered Clear Lens
- 14 Tempered C73 Prismatic Lens
- 16 Tempered Fresnel Lens
- SCL Specular Clear "Alzak"
- SGO Specular Gold "Alzak"
- WHT White Finish

Options ▲

- QR Quartz Restrike
- QS Quartz Socket

Features

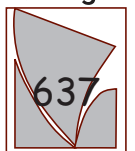
Manufactured and Listed to UL 1598, ETL and CSA standards.
 Suitable for Damp Locations
 Wet location under covered ceiling



▲ See Options and Finishes pages for a list of additional finishes and equipment.

Vantage reserves the right to change components, finishes or design details in any manner which does not alter the installed appearance or reduce performance and intended function.

Vantage



Luminaires

76 Community Avenue Plainfield, CT 06374
 voice (860)564.4512 fax (860)564.4854
 www.vantageitg.com

07/07