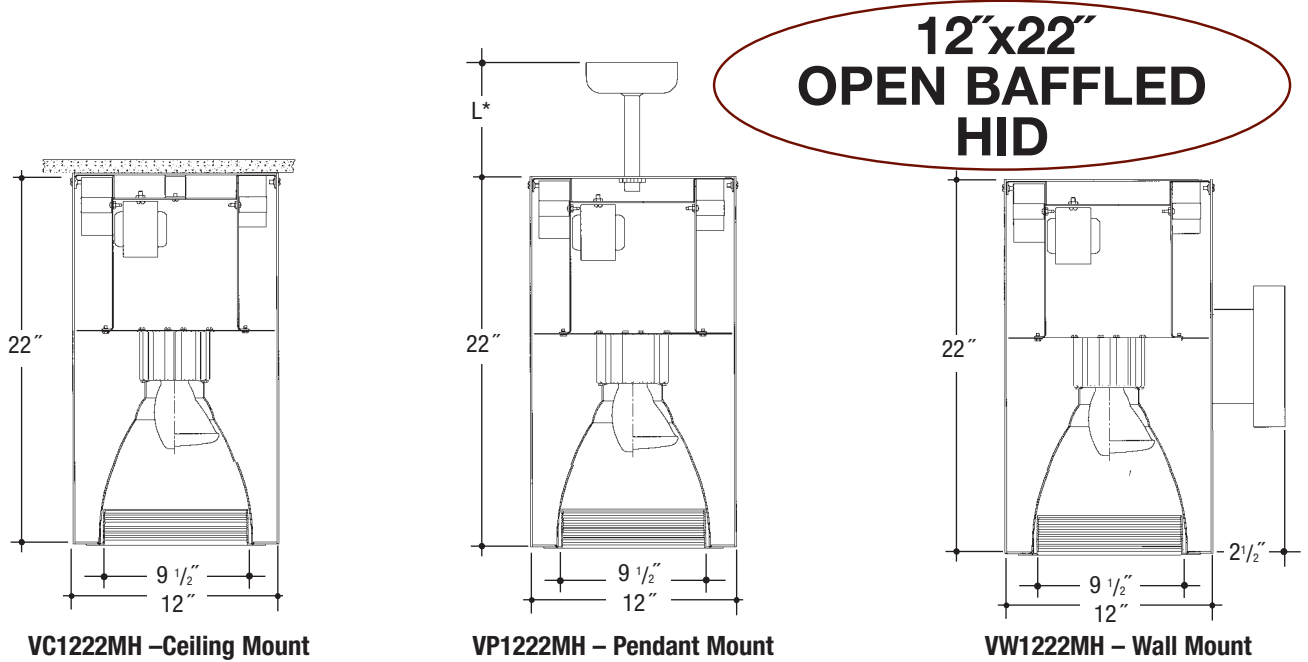


Architectural Cylinders

Job Name _____

Type _____



Cylinder – HID (ED28; ED17; PAR38; PAR30 Open Rated* Lamp). *Note: 'Open Fixture Rated' lamp must be used. Specular Clear "Alzak" Reflector with Multi-Groove Baffle

Catalog Number	Wattage	Ballast	Voltage	Finish	Reflector	Options
VC1222MHO	250W MAX. ED28	E	1	WHT	SCL/BL	QR
VP1222MHO	175W ED17		2	BLK	SCL/WH	QS
VW1222MHO	150W PAR38, ED17		3	BZ	SGO/BL	
	100W PAR38, ED17		4	CS	SGO/WH	
	70W PAR30, ED17					

For PAR Lamp – Replace VC1222MHO with VC1222MHOP
Mogul Base – Replace VC1222MHO with VC1222MHOM
HPS – Replace MH with HPS–VC1222HPSO
HPS – High Pressure Sodium available up to 250 Watt ED18 Mogul Base.

Specifications

Housing – .064" extruded aluminum cylinder. Polyester powdercoat exterior finish with factory standard finishes of White (WHT), Black (BLK), Bronze (BZ), Camero Silver (CS).

Socket – Open Rated, Pulse Rated, 4KV, medium or mogul base porcelain with nickel plated brass screw shell.

Ballast – 50/60Hz Multi-tap electronic ballast to operate from range of 120V to 277V +/- 10%. Minimum starting temperature of -30°C/-20°F. *UL Listed* component.

Reflector – Heavy gauge hand spun aluminum reflector with a specular "Alzak" low iridescent finish and multi-groove baffle.

Pendant – Pendant mount accepts slope ceilings with a 45° swivel adjustment. L* – Factory Standard stem length is 12".

Wall Bracket – Cast Aluminum Construction.

Voltage

1	120 Volt
2	277 Volt
3	347 Volt
4	208 Volt

Ballast

E	Electronic
---	------------

Reflector Options ▲

SCL/BL	Clear "Alzak" Reflector with Black Baffle
SCL/WH	Clear "Alzak" Reflector with White Baffle
SGO/BL	Gold "Alzak" Reflector with Black Baffle
SGO/WH	Gold "Alzak" Reflector with White Baffle

Options ▲

QR	Quartz Restrike
QS	Quartz Socket

Features

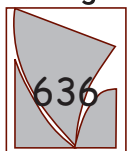
Manufactured and Listed to UL 1598, ETL and CSA standards.
 Suitable for Damp Locations
 Wet location under covered ceiling



▲ See Options and Finishes pages for a list of additional finishes and equipment.

Vantage reserves the right to change components, finishes or design details in any manner which does not alter the installed appearance or reduce performance and intended function.

Vantage



Luminaires

76 Community Avenue Plainfield, CT 06374
 voice (860)564.4512 fax (860)564.4854
 www.vantageitg.com

07/07