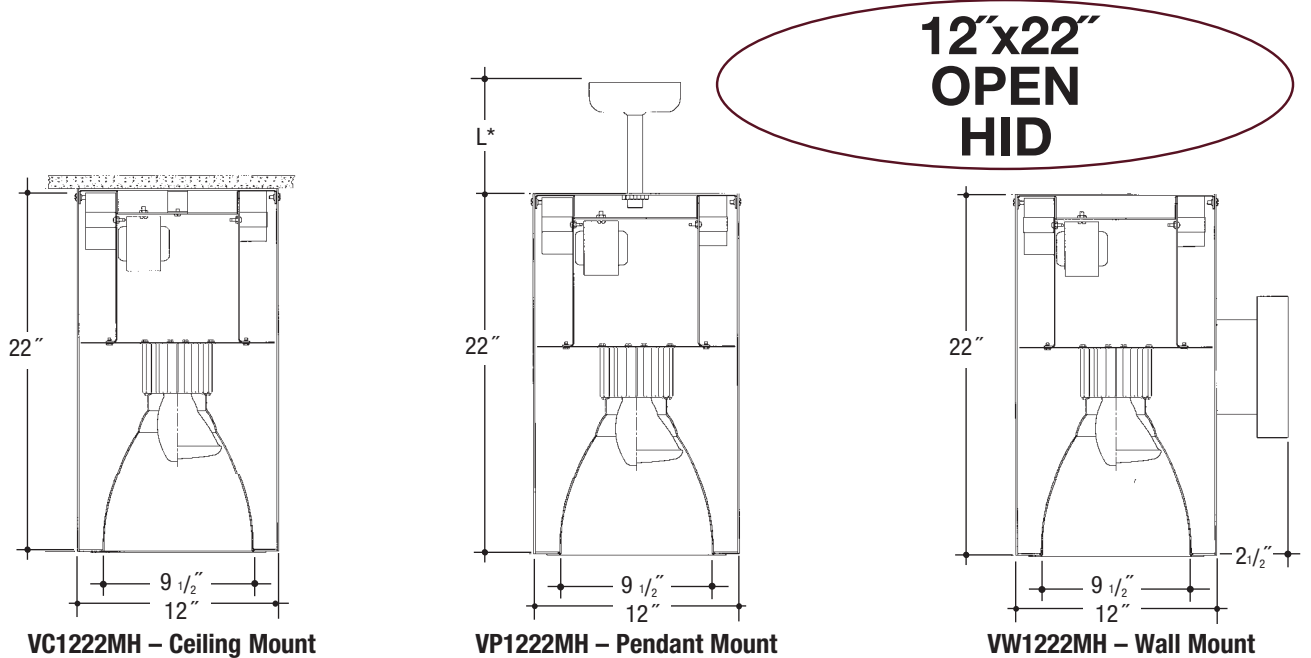


Architectural Cylinders

Job Name _____

Type _____



Cylinder – HID (ED28; ED17; PAR38; PAR30 Open Rated* Lamp). *Note: 'Open Fixture Rated' lamp must be used. Specular Clear "Alzak" Reflector

Catalog Number	Wattage	Ballast	Voltage	Finish	Reflector	Options
VC1222MHO						
VP1222MHO						
VW1222MHO	250W MAX. ED28 175W ED17 150W PAR38, ED17 100W PAR38, ED17 70W PAR30, ED17	E	1 2 4	WHT BLK BZ CS	SCL SGC WHT	QR QS

For PAR Lamp – Replace **VC1222MHO** with **VC1222MHOP**
Mogul Base – Replace **VC1222MHO** with **VC1222MHOM**
HPS – Replace **MH** with **HPS-VC1222HPSO**
HPS – High Pressure Sodium available up to 250 Watt ED18 Mogul Base.

Specifications

Housing – .064" extruded aluminum cylinder. Polyester powdercoat exterior finish with factory standard finishes of White (WHT), Black (BLK), Bronze (BZ), Camero Silver (CS).

Socket – Open Rated, Pulse Rated, 4KV, medium or mogul base porcelain with nickel plated brass screw shell. *UL Listed.*

Ballast – 50/60Hz Multi-tap electronic ballast to operate from range of 120V to 277V +/- 10%. Minimum starting temperature of -30°C/-20°F. *UL Listed* component.

Reflector – Heavy gauge hand spun aluminum reflector with a specular "Alzak" low iridescent finish.

Pendant – Pendant mount accepts slope ceilings with a 45° swivel adjustment. L* – Factory Standard stem length is 12".

Wall Bracket – Cast Aluminum Construction.

Voltage

1	120 Volt
2	277 Volt
4	208 Volt

Ballast

E Electronic

Reflector Options ▲

SCL	Specular Clear "Alzak" with White Flange
SGC	Soft Glow Clear "Alzak" with White Flange
WHT	White Reflector with White Flange

Options ▲

QR	Quartz Restrike
QS	Quartz Socket

Features

Manufactured and Listed to UL 1598, ETL and CSA standards.
 Suitable for Damp Locations
 Wet location under covered ceiling



▲ See Options and Finishes pages for a list of additional finishes and equipment.

Vantage reserves the right to change components, finishes or design details in any manner which does not alter the installed appearance or reduce performance and intended function.

76 Community Avenue Plainfield, CT 06374
 voice (860) 564.4512 fax (860) 564.4854
 www.vantageitg.com

11/11



VANTAGE

Photometric Information

Product Number: VC1222MHOM250H/SCL
Cylinder: 12" x 22" Vertical Mount Metal Halide
Reflector: 12" Vertical Clear "Alzak" Reflector
LTL Test Number: 08454
Lamp(s) Source: (1) 250W VB Unit M58 coated lamp rated at 20,500 lumens
Total Luminaire Efficiency: 62.4%
CIE Type: Direct
Luminaire Spacing Criterion: 1.0
Luminous Diameter: 9.5

Zonal Lumen Summary

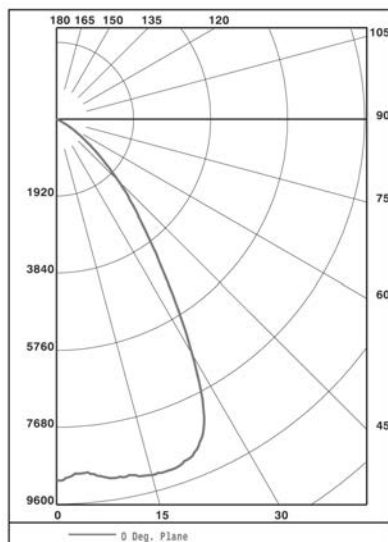
ZONE	LUMENS	%LAMP	%FIXTURE
0- 30	7333	35.8	57.4
0- 40	10280	50.1	80.4
0- 60	12635	61.6	98.8
0- 90	12785	62.4	100.0
90-180	0	0.0	0.0
0-180	12785	62.4	100.0

Cone of Light

Ft. Below	Fc Nadir	Dia @50%
6.0	250.5	6.9
8.0	140.9	9.1
10.0	90.2	11.4
12.0	62.6	13.7
14.0	46.0	16.0
16.0	35.2	18.3

Coefficients of Utilization

RC	80				70				50				30				10				0
	70	50	30	10	70	50	30	10	50	30	10	50	30	10	50	30	10	50	30	10	0
0	74	74	74	74	73	73	73	73	69	69	69	66	66	66	64	64	64	62			
1	71	69	67	66	69	68	66	65	65	64	63	63	62	61	61	60	59	58			
2	67	64	62	60	66	63	61	59	61	60	58	60	58	57	58	57	56	55			
3	64	60	57	55	63	59	57	54	58	55	53	56	54	53	55	53	52	51			
4	61	56	53	50	60	56	52	50	54	52	49	53	51	49	52	50	48	47			
5	58	53	49	46	57	52	49	46	51	48	46	50	47	45	49	47	45	44			
6	55	49	45	43	54	49	45	43	48	45	42	47	44	42	46	44	42	41			
7	52	46	42	39	51	45	42	39	44	41	39	44	41	39	43	40	38	38			
8	49	43	39	36	48	42	39	36	42	38	36	41	38	36	40	38	36	35			
9	46	40	36	33	45	39	36	33	39	35	33	38	35	33	38	35	33	32			
10	43	37	33	31	43	37	33	31	36	33	31	36	33	31	35	32	30	30			



VANTAGE

06/07