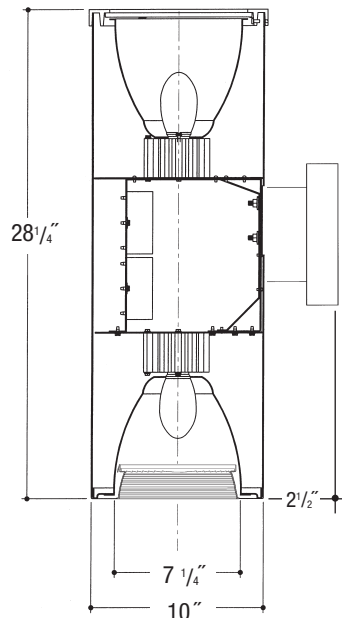


Architectural Cylinders

Job Name _____

Type _____



**10"x28"
LENSED BAFFLED
UP/DOWN HID**

VW1028MHEU /D_ – Wall Mount

**Cylinder – HID (ED17; PAR38; PAR30 Enclosed Rated* Lamp). *Note: 'Enclosed Fixture Rated' lamp must be used.
Specular Clear "Alzak" Reflector Lensed and Baffled**

Catalog Number

VW1028MHE	U _____	/D _____	_____	_____	_____	_____	_____	_____
	Up Wattage	Down Wattage	Ballast	Voltage	Finish	Splay	Lens	Options
	150W MAX. PAR38, ED17 100W PAR38, ED17 70W PAR30, ED17 50W PAR30, ED17	150W MAX. PAR38, ED17 100W PAR38, ED17 70W PAR30, ED17 50W PAR30, ED17	E	1 2 3 4	WHT BLK BZ CS	SCL/BL SCL/WH	11 14 16	QR QS WL

For PAR Lamp – Replace VW1028MHE with VW1028MHEP

HPS – Replace MH with HPS – VW1028HPSE

HPS – High Pressure Sodium available up to 150 Watt.

Specifications

Housing – .064" thick spun aluminum cylinder. Polyester powdercoat exterior finish with factory standard finishes of White (WHT), Black (BLK), Bronze (BZ), Camero Silver (CS).

Socket – Open Rated, Pulse Rated, 4KV, medium base porcelain with nickel plated brass screw shell. *UL Listed.*

Ballast – 50/60Hz Multi-tap electronic ballast to operate from range of 120V to 277V +/- 10%. Minimum starting temperature of -30°C/-20°F. *UL Listed* component.

Reflector – Heavy gauge hand spun aluminum reflector with a specular clear "Alzak" finish and baffled splay/lens holder. (Factory Standard)

Pendant – Pendant mount accepts slope ceilings with a 45° swivel adjustment.

L – Factory Standard stem length is 12".

Wall Bracket – Cast Aluminum Construction.

Voltage

1	120 Volt
2	277 Volt
3	347 Volt
4	208 Volt

Ballast

E	Electronic
---	------------

Splay/Lens Options ▲

SCL/BL	Black Baffle
SCL/WH	White Baffle
11	Tempered Clear Lens
14	Tempered C73 Prismatic Lens
16	Tempered Fresnel Lens

Options ▲

QR	Quartz Restrike
QS	Quartz Socket
WL	Sealed and Gasketed Uplight Lens

Features

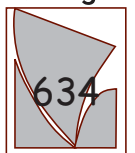
Manufactured and Listed to UL 1598,
ETL and CSA standards.
Suitable for Damp Locations
Wet location under covered ceiling
Suitable for Wet Locations



▲ See Options and Finishes pages for a list of additional finishes and equipment.

Vantage reserves the right to change components, finishes or design details in any manner which does not alter the installed appearance or reduce performance and intended function.

Vantage



Luminaires

76 Community Avenue Plainfield, CT 06374
voice (860)564.4512 fax (860)564.4854
www.vantageitg.com

02/10