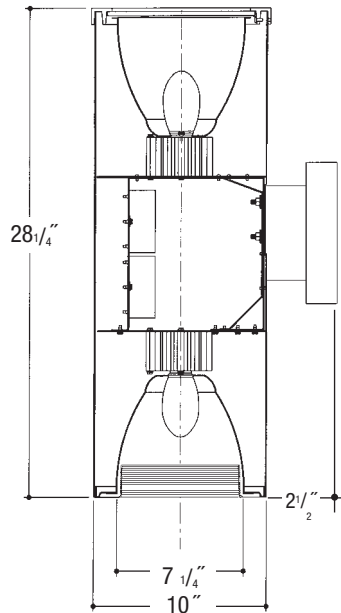


# Architectural Cylinders

Job Name \_\_\_\_\_

Type \_\_\_\_\_



**10"x28"  
OPEN BAFFLED  
UP/DOWN HID**

**VW1028MHOU /D – Wall Mount**

**Cylinder – HID (ED17; PAR38; PAR30 Open Rated\* Lamp). \*Note: 'Open Fixture Rated' lamp must be used.  
Specular Clear "Alzak" Reflector with Multi-Groove Baffle**

Catalog Number	U _____	/D _____	_____	_____	_____	_____	_____
<b>VW1028MHO</b>	Up Wattage	Down Wattage	Ballast	Voltage	Finish	Reflector	Options
	150W MAX. PAR38, ED17	150W MAX. PAR38, ED17	E	1	WHT	SCL/BL	QR
	100W PAR38, ED17	100W PAR38, ED17		2	BLK	SCL/WH	QS
	70W PAR30, ED17	70W PAR30, ED17		4	BZ	SGC/BL	WL
	50W PAR30, ED17	50W PAR30, ED17			CS	SGC/WH	

**For PAR Lamp** – Replace **VW1028MHO** with **VW1028MHOP**

**HPS** – Replace **MH** with **HPS – VW1028HPSO**

**HPS** – High Pressure Sodium available up to 150 Watt.

## Specifications

**Housing** – .064" thick spun aluminum cylinder. Polyester powdercoat exterior finish with factory standard finishes of White (WHT), Black (BLK), Bronze (BZ), Camero Silver (CS).

**Socket** – Open Rated, Pulse Rated, 4KV, medium base porcelain with nickel plated brass screw shell. *UL Listed.*

**Ballast** – 50/60Hz Multi-tap electronic ballast to operate from range of 120V to 277V +/- 10%. Minimum starting temperature of -30°C/-20°F. *UL Listed* component.

**Reflector** – Heavy gauge hand spun aluminum reflector with a specular "Alzak" low iridescent finish and multi-groove reflector.

**Pendant** – Pendant mount accepts slope ceilings with a 45° swivel adjustment.

L\* – Factory Standard stem length is 12".

**Wall Bracket** – Cast Aluminum Construction.

## Voltage

1	120 Volt
2	277 Volt
4	208 Volt

## Ballast

E Electronic

## Reflector Options ▲

<b>SCL/BL</b>	Clear "Alzak" Reflector with Black Baffle
<b>SCL/WH</b>	Clear "Alzak" Reflector with White Baffle
<b>SGC/BL</b>	Soft Glow Clear "Alzak" Reflector with Black Baffle
<b>SGC/WH</b>	Soft Glow Clear "Alzak" Reflector with White Baffle

## Options ▲

<b>QR</b>	Quartz Restrike
<b>QS</b>	Quartz Socket
<b>WL</b>	Sealed and Gasketed Uplight Lens

## Features

Manufactured and Listed to UL 1598,  
ETL and CSA standards.  
*Suitable for Damp Locations*  
*Wet location under covered ceiling*



▲ See Options and Finishes pages for a list of additional finishes and equipment.

Vantage reserves the right to change components, finishes or design details in any manner which does not alter the installed appearance or reduce performance and intended function.

76 Community Avenue Plainfield, CT 06374  
voice (860) 564.4512 fax (860) 564.4854  
www.vantageitg.com

11/11



VANTAGE