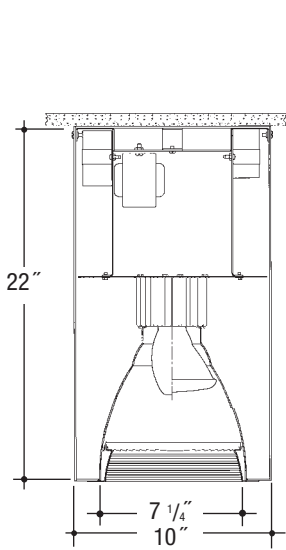


Architectural Cylinders

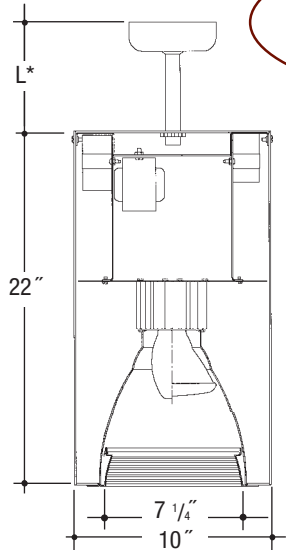
Job Name _____

Type _____

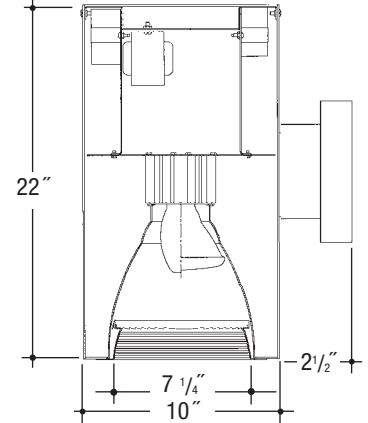
**10"x22"
LENSED BAFFLED
HID**



VC1022MH – Ceiling Mount



VP1022MH – Pendant Mount



VW1022MH – Wall Mount

Cylinder – HID (ED17; PAR38; PAR30 Enclosed Rated* Lamp). *Note: 'Enclosed Fixture Rated' lamp must be used. Specular Clear "Alzak" Reflector Lensed and Baffled

Catalog Number

Catalog Number	Wattage	Ballast	Voltage	Finish	Splay	Lens	Options
VC1022MHE							
VP1022MHE							
VW1022MHE	175W MAX.PAR38, ED17	E	1	WHT	SCL/BL	11	QR
	150W PAR38, ED17		2	BLK	SCL/WH	14	QS
	100W PAR38, ED17		3	BZ		16	
	70W PAR30, ED17		4	CS			

For PAR Lamp – Replace VC1022MHE with VC1022MHEP
HPS – Replace MH with HPS – VC1022HPSE
HPS – High Pressure Sodium available up to 150 Watt.

Specifications

Housing – .064" thick spun aluminum cylinder. Polyester powdercoat exterior finish with factory standard finishes of White (WHT), Black (BLK), Bronze (BZ), Camero Silver (CS).

Socket – Open Rated, Pulse Rated, 4KV, medium base porcelain with nickel plated brass screw shell. *UL Listed.*

Ballast – 50/60Hz Multi-tap electronic ballast to operate from range of 120V to 277V +/- 10%. Minimum starting temperature of -30°C/-20°F. *UL Listed* component.

Reflector – Heavy gauge hand spun aluminum reflector with a specular clear "Alzak" finish and baffled splay/lens holder. (Factory Standard) Flange painted to match cylinder color.

Pendant – Pendant mount accepts slope ceilings with a 45° swivel adjustment.
 L* – Factory Standard stem length is 12".

Voltage

- 1 120 Volt
- 2 277 Volt
- 3 347 Volt
- 4 208 Volt

Ballast

- E Electronic

Splay/Lens Options ▲

- 11 Tempered Clear Lens
- 14 Tempered C73 Prismatic Lens
- 16 Tempered Fresnel Lens
- SCL/BL Black Baffle
- SCL/WH White Baffle

Options ▲

- QR Quartz Restrike
- QS Quartz Socket

Wall Bracket – Cast Aluminum Construction.

Features

Manufactured and Listed to UL 1598, ETL and CSA standards.
 Suitable for Damp Locations
 Wet location under covered ceiling
 Suitable for Wet Locations



▲ See Options and Finishes pages for a list of additional finishes and equipment.
 Vantage reserves the right to change components, finishes or design details in any manner which does not alter the installed appearance or reduce performance and intended function.

