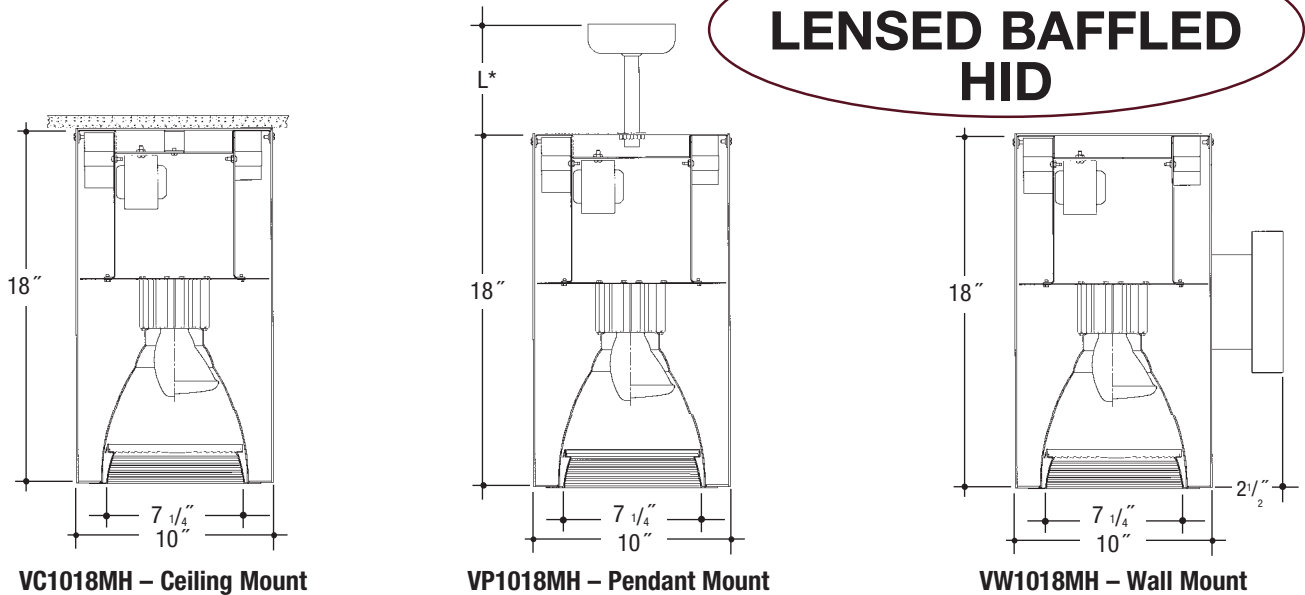


Architectural Cylinders

Job Name _____

Type _____



Cylinder – HID (ED17; PAR38; PAR30; PAR20 Enclosed Rated* Lamp). *Note: 'Enclosed Fixture Rated' lamp must be used. Specular Clear "Alzak" Reflector Lensed and Baffled

Catalog Number	Wattage	Ballast	Voltage	Finish	Splay	Lens	Options
VC1018MHE	150W MAX. PAR38, ED17	E	1	WHT	SCL/BL	11	QR
VP1018MHE	100W PAR38, ED17		2	BLK	SCL/WH	14	QS
VW1018MHE	70W PAR30, ED17		4	BZ		16	
	50W PAR30, ED17			CS		18	

For PAR Lamp – Replace **VC1018MHE** with **VC1018MHEP**
HPS – Replace **MH** with **HPS – VC1018HPSE**
HPS – High Pressure Sodium available up to 150 Watt.

Specifications

Housing – .064" thick spun aluminum cylinder. Polyester powdercoat exterior finish with factory standard finishes of White (WHT), Black (BLK), Bronze (BZ), Camero Silver (CS).

Socket – Open Rated, Pulse Rated, 4KV, medium base porcelain with nickel plated brass screw shell. *UL Listed.*

Ballast – 50/60Hz Multi-tap electronic ballast to operate from range of 120V to 277V +/- 10%. Minimum starting temperature of -30°C/-20°F. *UL Listed* component.

Reflector – Heavy gauge hand spun aluminum reflector with a specular clear "Alzak" finish and baffled splay/lens holder. (Factory Standard) Flange painted to match cylinder color.

Pendant – Pendant mount accepts slope ceilings with a 45° swivel adjustment.
 L – Factory Standard stem length is 12".

Wall Bracket – Cast Aluminum Construction.

Voltage

1	120 Volt
2	277 Volt
4	208 Volt

Ballast

E	Electronic
---	------------

Splay/Lens Options ▲

11	Tempered Clear Lens
14	Tempered C73 Prismatic Lens
16	Tempered Fresnel Lens
18	Tempered Clear Lens
SCL/BL	Black Baffle
SCL/WH	White Baffle

Options ▲

QR	Quartz Restrike
QS	Quartz Socket

Features

Manufactured and Listed to UL 1598, ETL and CSA standards.
 Suitable for Damp Locations
 Wet location under covered ceiling
 Suitable for Wet Locations



▲ See Options and Finishes pages for a list of additional finishes and equipment.

Vantage reserves the right to change components, finishes or design details in any manner which does not alter the installed appearance or reduce performance and intended function.

76 Community Avenue Plainfield, CT 06374
 voice (860) 564.4512 fax (860) 564.4854
 www.vantageitg.com

11/11



VANTAGE