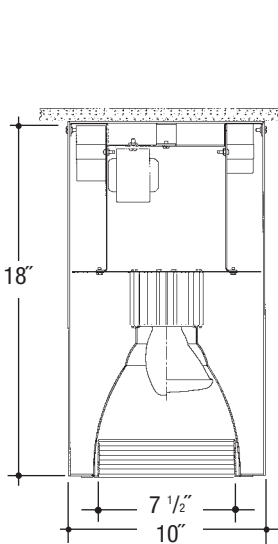


Architectural Cylinders

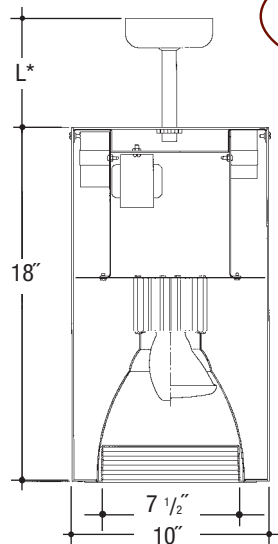
Job Name _____

Type _____

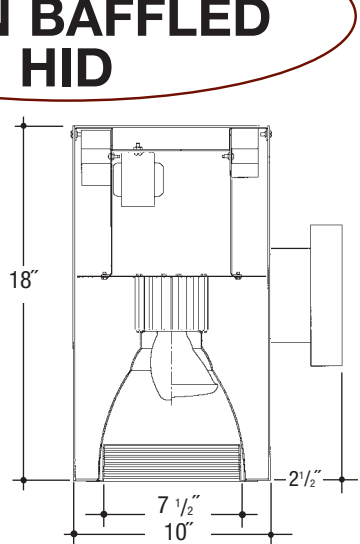
**10"x18"
OPEN BAFFLED
HID**



VC1018MH – Ceiling Mount



VP1018MH – Pendant Mount



VW1018MH – Wall Mount

Cylinder – HID (ED17; PAR38; PAR30; PAR20 Open Rated* Lamp). *Note: 'Open Fixture Rated' lamp must be used. Specular Clear "Alzak" Reflector with Multi-Groove Baffle

Catalog Number

	Wattage	Ballast	Voltage	Finish	Reflector	Options
VC1018MHO						
VP1018MHO						
VW1018MHO	150W MAX. PAR38, ED17 100W PAR38, ED17 70W PAR30, ED17 50W PAR30, ED17	E	1 2 3 4	WHT BLK BZ CS	SCL/BL SCL/WH SGO/BL SGO/WH	QR QS

For PAR Lamp – Replace **VC1018MHO** with **VC1018MHOP**
HPS – Replace **MH** with **HPS – VC1018HPSO**
HPS – High Pressure Sodium available up to 150 Watt.

Specifications

Housing – .064" thick spun aluminum cylinder. Polyester powdercoat exterior finish with factory standard finishes of White (WHT), Black (BLK), Bronze (BZ), Camero Silver (CS).

Socket – Open Rated, Pulse Rated, 4KV, medium base porcelain with nickel plated brass screw shell. *UL Listed.*

Ballast – 50/60Hz Multi-tap electronic ballast to operate from range of 120V to 277V +/- 10%. Minimum starting temperature of -30°C/-20°F. *UL Listed* component.

Reflector – Heavy gauge hand spun aluminum reflector with a specular "Alzak" low iridescent finish and multi-groove reflector.

Pendant – Pendant mount accepts slope ceilings with a 45° swivel adjustment.
 L* – Factory Standard stem length is 12".

Wall Bracket – Cast Aluminum Construction.

Voltage

- 1 120 Volt
- 2 277 Volt
- 3 347 Volt
- 4 208 Volt

Ballast

- E Electronic

Reflector Options ▲

- SCL/BL Clear "Alzak" Reflector with Black Baffle
- SCL/WH Clear "Alzak" Reflector with White Baffle
- SGO/BL Gold "Alzak" Reflector with Black Baffle
- SGO/WH Gold "Alzak" Reflector with White Baffle

Options ▲

- QR Quartz Restrike
- QS Quartz Socket

Features

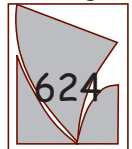
Manufactured and Listed to UL 1598, ETL and CSA standards.
 Suitable for Damp Locations
 Wet location under covered ceiling
 Suitable for Wet Locations



▲ See Options and Finishes pages for a list of additional finishes and equipment.

Vantage reserves the right to change components, finishes or design details in any manner which does not alter the installed appearance or reduce performance and intended function.

Vantage



Luminaires

76 Community Avenue Plainfield, CT 06374
 voice (860)564.4512 fax (860)564.4854
 www.vantageitg.com

06/07