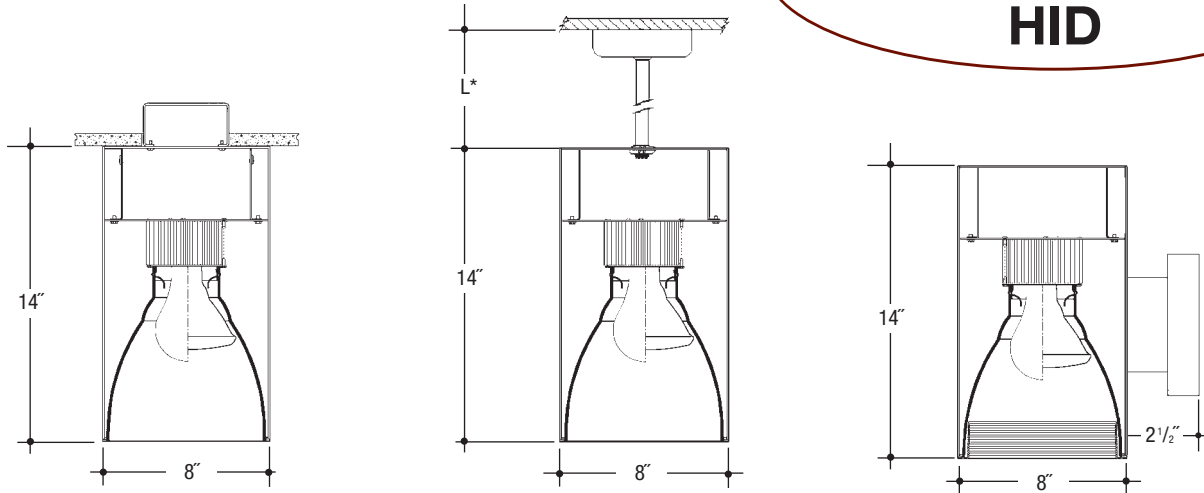


# Architectural Cylinders

Job Name \_\_\_\_\_

Type \_\_\_\_\_

**8"x14"  
OPEN OR BAFFLED  
HID**



**VC814MHO – Ceiling Mount**

**VP814MHO – Pendant Mount**

**VW814MHO – Wall Mount**

**Cylinder – HID (ED17; PAR30 Open Rated\* Lamp). \*Note: 'Open Fixture Rated' lamp must be used. Specular Clear "Alzak" Reflector or Multi-Groove Baffle**

Catalog Number

Catalog Number	Wattage	Ballast	Voltage	Finish	Reflector	Options
<b>VC814MHO</b>	70W MAX. PAR30, ED17	E	1	WHT	SCL	
<b>VP814MHO</b>			2	BLK	SGO	
<b>VW814MHO</b>			3	BZ	WHT	SCL/BL
	50W PAR30, ED17		4	CS	SCL/WH	SGO/BL
					SGO/WH	

**For PAR Lamp – Replace VC814MHO with VC814MHOP**

## Specifications

**Housing** – .064" thick spun aluminum cylinder. Polyester powdercoat exterior finish with factory standard finishes of White (WHT), Black (BLK), Bronze (BZ), Camero Silver (CS).

**Socket** – Open Rated, Pulse Rated, 4KV, medium base porcelain with nickel plated brass screw shell. *UL Listed.*

**Ballast** – 50/60Hz Multi-tap electronic ballast to operate from range of 120V to 277V +/- 10%. Minimum starting temperature of -30°C/-20°F. *UL Listed* component.

**Reflector** – Heavy gauge hand spun aluminum reflector with a specular "Alzak" low iridescent finish or multi-groove baffle.

**Pendant** – Pendant mount accepts slope ceilings with a 45° swivel adjustment. L\* – Factory Standard stem length is 12".

**Wall Bracket** – Cast Aluminum Construction.

## Voltage

1	120 Volt
2	277 Volt
3	347 Volt
4	208 Volt

## Ballast

E Electronic

## Reflector Options ▲

<b>SCL</b>	Specular Clear "Alzak" with White Flange
<b>SGO</b>	Specular Gold "Alzak" with White Flange
<b>WHT</b>	White Reflector with White Flange
<b>SCL/BL</b>	Clear "Alzak" Reflector with Black Baffle
<b>SCL/WH</b>	Clear "Alzak" Reflector with White Baffle
<b>SGO/BL</b>	Gold "Alzak" Reflector with Black Baffle
<b>SGO/WH</b>	Gold "Alzak" Reflector with White Baffle

## Options ▲

## Features

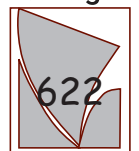
Manufactured and Listed to UL 1598, ETL and CSA standards.  
Suitable for Damp Locations  
Wet location under covered ceiling



▲ See Options and Finishes pages for a list of additional finishes and equipment.

Vantage reserves the right to change components, finishes or design details in any manner which does not alter the installed appearance or reduce performance and intended function.

Vantage



Luminaires

76 Community Avenue Plainfield, CT 06374  
voice (860)564.4512 fax (860)564.4854  
www.vantageitg.com

07/07