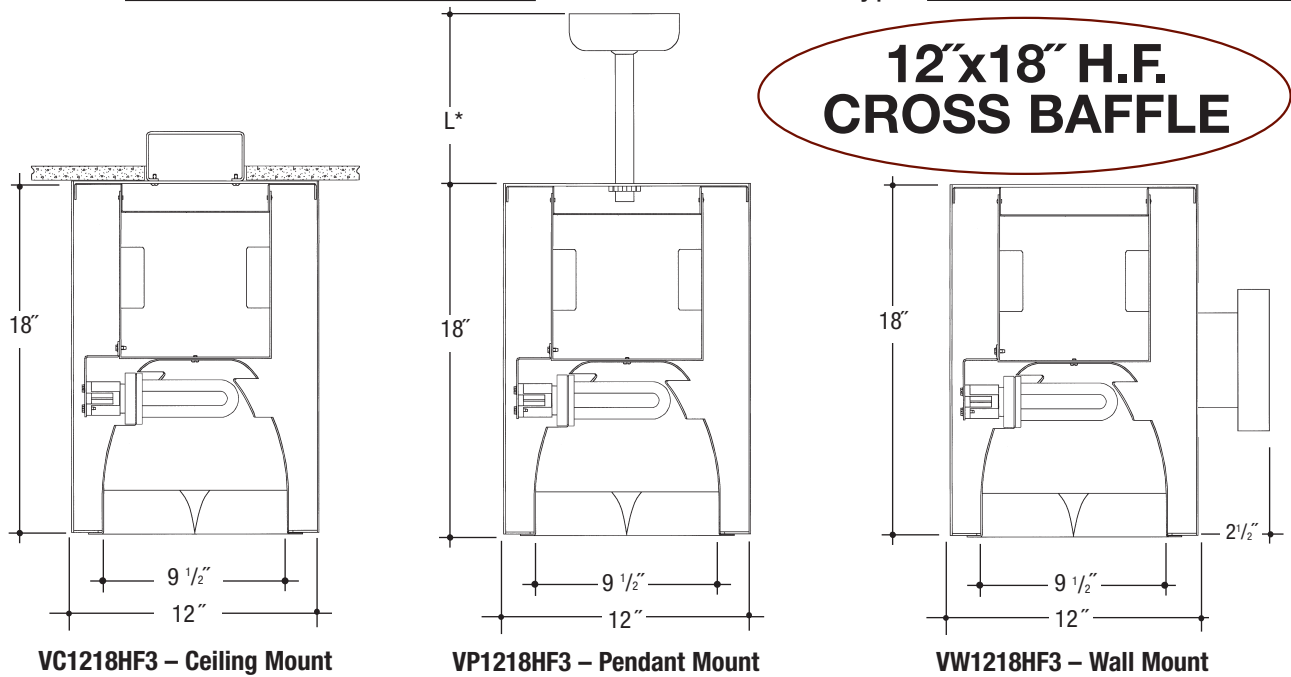


Architectural Cylinders

Job Name _____ Type _____



Cylinder – Horizontal Fluorescent 3-Lamp (Compact Fluorescent Triple or Quad Tube) Specular Clear “Alzak” Cross Baffle
 Catalog Number _____

	Wattage	Ballast	Voltage	Finish	Reflector	Options
VC1218HF3						
VP1218HF3						
VW1218HF3	42W MAX. PLT●●● 32W PLT●●● 26W DTT, PLT●●● 18W DTT, PLT●●● 13W DTT	E DA	1 2 3 4	WHT BLK BZ CS	S35SCL S35SGO S35WHT	REM

●●● 2-Lamp – Max. for Triple Tube
 2-Lamp – Replace **VC1218HF3** with **VC1218HF2**
 Electronic Multi-Tap Ballast 120 Thru 277V Factory Standard

Specifications

Housing – .064” thick spun aluminum cylinder. Polyester powdercoat exterior finish with factory standard finishes White (WHT), Black (BLK), Bronze (BZ) and Camero Silver (CS).

Socket – Thermo-plastic and positive locking. *UL Listed*.

Ballasts – Electronic ballasts, Class P, 50/60 HZ-120/277, Programmed Start, thermally protected, 98% Power Factor, 1.00 Ballast Factor, <10% THD, Class A sound rated. Minimum starting temperature -18°C/0°F.

Magnetic ballasts, High Power Factor, thermally protected, minimum starting temperature 10°C/50°F.

UL Listed component.

Reflector – Heavy gauge hand spun aluminum reflector with a specular “Alzak” low iridescent finish and parabolic cross baffle louver.

Pendant – Pendant mount accepts slope ceilings with a 45° swivel adjustment.
 L* – Factory Standard stem length is 12”.

Wall Bracket – Cast Aluminum Construction.

Voltage

1	120 Volt
2	277 Volt
3	347 Volt
4	208 Volt

Ballasts

E	Electronic	(4 Pin Lamp)
DA	Advance Mark X Dimming	(4 Pin Lamp)
*	13 Watt Advance Mark VII Only	(4 Pin Lamp)

Reflector Options ▲

S35SCL	Specular Clear “Alzak” Cross Baffle
S35SGO	Specular Gold “Alzak” Cross Baffle
S35WHT	White Reflector with Cross Baffle

Options ▲

REM	Remote Emergency Battery
------------	--------------------------

Features

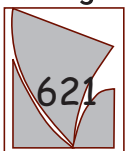
Manufactured and Listed to UL 1598, ETL and CSA standards.
 Suitable for Damp Locations
 Wet location under covered ceiling



▲ See Options and Finishes pages for a list of additional finishes and equipment.

Vantage reserves the right to change components, finishes or design details in any manner which does not alter the installed appearance or reduce performance and intended function.

Vantage



76 Community Avenue Plainfield, CT 06374
 voice (860) 564.4512 fax (860) 564.4854
 www.vantageitg.com

01/11

Luminaires