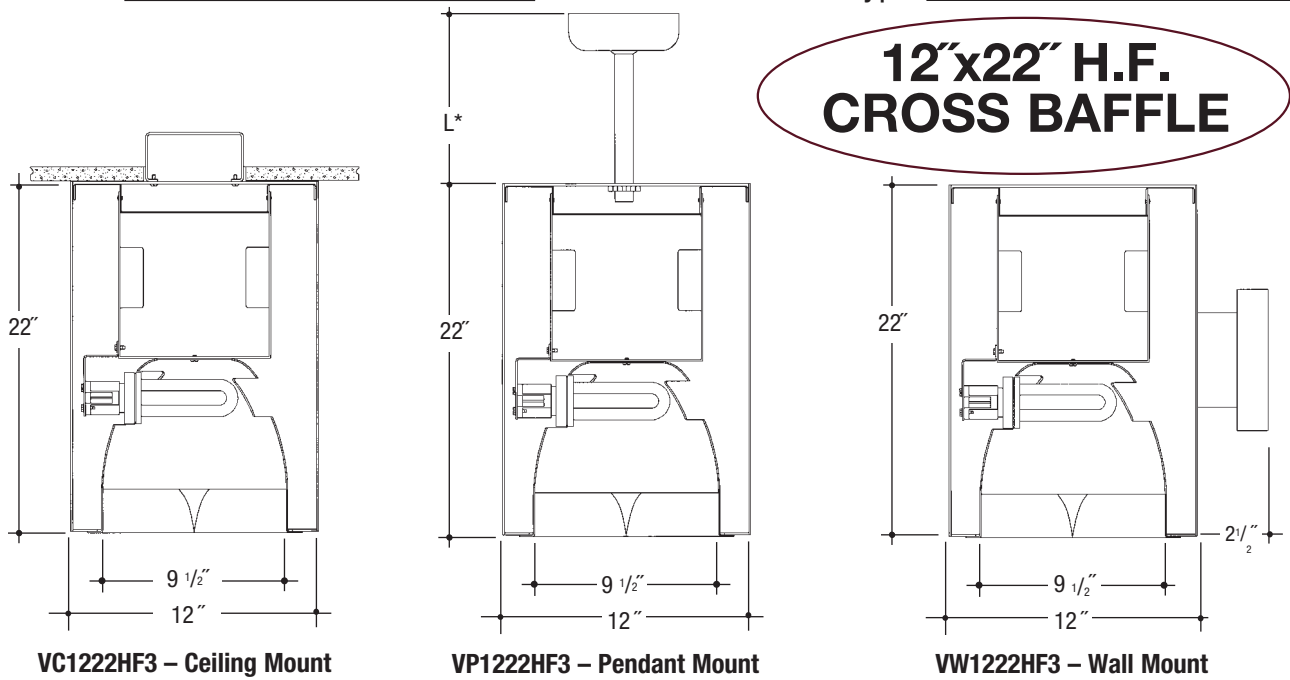


Architectural Cylinders

Job Name _____ Type _____



Cylinder – Horizontal Fluorescent 3-Lamp (Compact Fluorescent Triple or Quad Tube) Specular Clear “Alzak” Cross Baffle

Catalog Number

	Wattage	Ballast	Voltage	Finish	Reflector	Options
VC1222HF3	57W MAX. PLT●●●	E	1	WHT	S35SCL	REM
VP1222HF3	42W PLT	DA	2	BLK	S35SGC	EMI
VW1222HF3	32W PLT		4	BZ	S35WHT	
	26W DTT, PLT			CS		
	18W DTT, PLT					
	13W DTT					

●●●2-Lamp Max. for 57W PLT

2-Lamp – Replace **VC1222HF3** with **VC1222HF2**

Electronic Multi-Tap Ballast 120 Thru 277V Factory Standard

Specifications

Housing – .064" thick spun aluminum cylinder. Polyester powdercoat exterior finish with factory standard finishes White (WHT), Black (BLK), Bronze (BZ) and Camero Silver (CS).

Socket – Thermo-plastic and positive locking. *UL Listed*.

Ballasts – Electronic ballasts, Class P, 50/60 HZ-120/277, Programmed Start, thermally protected, 98% Power Factor, 1.00 Ballast Factor, <10% THD, Class A sound rated.

Minimum starting temperature -18°C/0°F.

Magnetic ballasts, High Power Factor, thermally protected, minimum starting temperature 10°C/50°F.

UL Listed component.

Reflector – Heavy gauge hand spun aluminum reflector with a specular “Alzak” low iridescent finish and parabolic cross baffle louver.

Pendant – Pendant mount accepts slope ceilings with a 45° swivel adjustment.

L* – Factory Standard stem length is 12”.

Wall Bracket – Cast Aluminum Construction.

Voltage

1	120 Volt
2	277 Volt
4	208 Volt

Ballasts

E	Electronic	(4 Pin Lamp)
DA	Advance Mark X Dimming	(4 Pin Lamp)
*	13 Watt Advance Mark VII Only	(4 Pin Lamp)

Reflector Options ▲

S35SCL	Specular Clear “Alzak” Cross Baffle
S35SGC	Soft Glow Clear “Alzak” Cross Baffle
S35WHT	White Reflector with Cross Baffle

Options ▲

REM	Remote Emergency Battery
EMI	Internal Mounted Emergency Test Switch

Features

Manufactured and Listed to UL 1598,

ETL and CSA standards.

Suitable for Damp Locations

Wet location under covered ceiling



▲ See Options and Finishes pages for a list of additional finishes and equipment.

Vantage reserves the right to change components, finishes or design details in any manner which does not alter the installed appearance or reduce performance and intended function.

76 Community Avenue Plainfield, CT 06374
 voice (860) 564.4512 fax (860) 564.4854
 www.vantageitg.com

11/11



VANTAGE