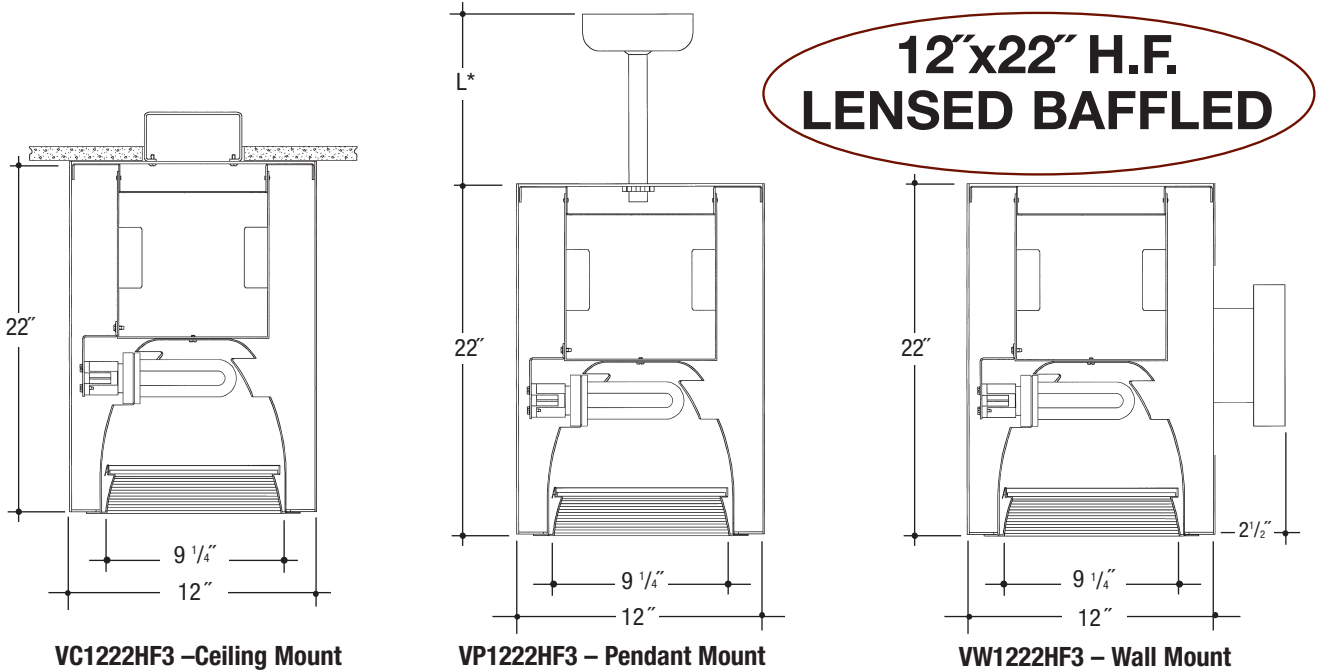


Architectural Cylinders

Job Name _____

Type _____



Cylinder – Horizontal Fluorescent 3-Lamp (Compact Fluorescent Triple or Quad Tube) Specular Clear “Alzak” Reflector Lensed Baffled
 Catalog Number _____

	Wattage	Ballast	Voltage	Finish	Splay	Lens	Options
VC1222HF3	57W MAX. PLT***	E	1	WHT	SCL/BL	11	REM
VP1222HF3	42W PLT	DA	2	BLK	SCL/WH	14	F
VW1222HF3	32W PLT		3	BZ		16	PF
	26W DTT, PLT		4	CS			
	18W DTT, PLT						
	13W DTT						

***2-Lamp Max. for 57W PLT
 2-Lamp – Replace VC1222HF3 with VC1222HF2
 Electronic Multi-Tap Ballast 120 Thru 277V Factory Standard

Specifications		Voltage	
Housing – .064" thick spun aluminum cylinder. Polyester powdercoat exterior finish with factory standard finishes White (WHT), Black (BLK), Bronze (BZ) and Camero Silver (CS).		1	120 Volt
Socket – Thermo-plastic and positive locking. <i>UL Listed.</i>		2	277 Volt
Ballasts – Electronic ballasts, Class P, 50/60 HZ-120/277, Programmed Start, thermally protected, 98% Power Factor, 1.00 Ballast Factor, <10% THD, Class A sound rated. Minimum starting temperature -18°C/0°F.		3	347 Volt
Magnetic ballasts, High Power Factor, thermally protected, minimum starting temperature 10°C/50°F.		4	208 Volt
<i>UL Listed</i> component.		Ballasts	
Reflector – Heavy gauge hand spun aluminum reflector with a specular clear “Alzak” finish and baffled splay/lens holder. (Factory Standard) White painted flange.		E	Electronic (4 Pin Lamp)
Pendant – Pendant mount accepts slope ceilings with a 45° swivel adjustment.		DA	Advance Mark X Dimming (4 Pin Lamp)
L* – Factory Standard stem length is 12'.		*	13 Watt Advance Mark VII Only (4 Pin Lamp)
Wall Bracket – Cast Aluminum Construction.		Splay/Lens Options ▲	
		11	Tempered Clear Lens
		14	Tempered C73 Prismatic Lens
		16	Tempered Fresnel Lens
		SCL/BL	Black Baffle with White Flange
		SCL/WH	White Baffle with White Flange
		Options ▲	
		REM	Remote Emergency Battery
		F	Fused
		PF	High Polished Flange

Features
 Manufactured and Listed to UL 1598, ETL and CSA standards.
 Suitable for Damp Locations
 Wet location under covered ceiling



▲ See Options and Finishes pages for a list of additional finishes and equipment.
 Vantage reserves the right to change components, finishes or design details in any manner which does not alter the installed appearance or reduce performance and intended function.

