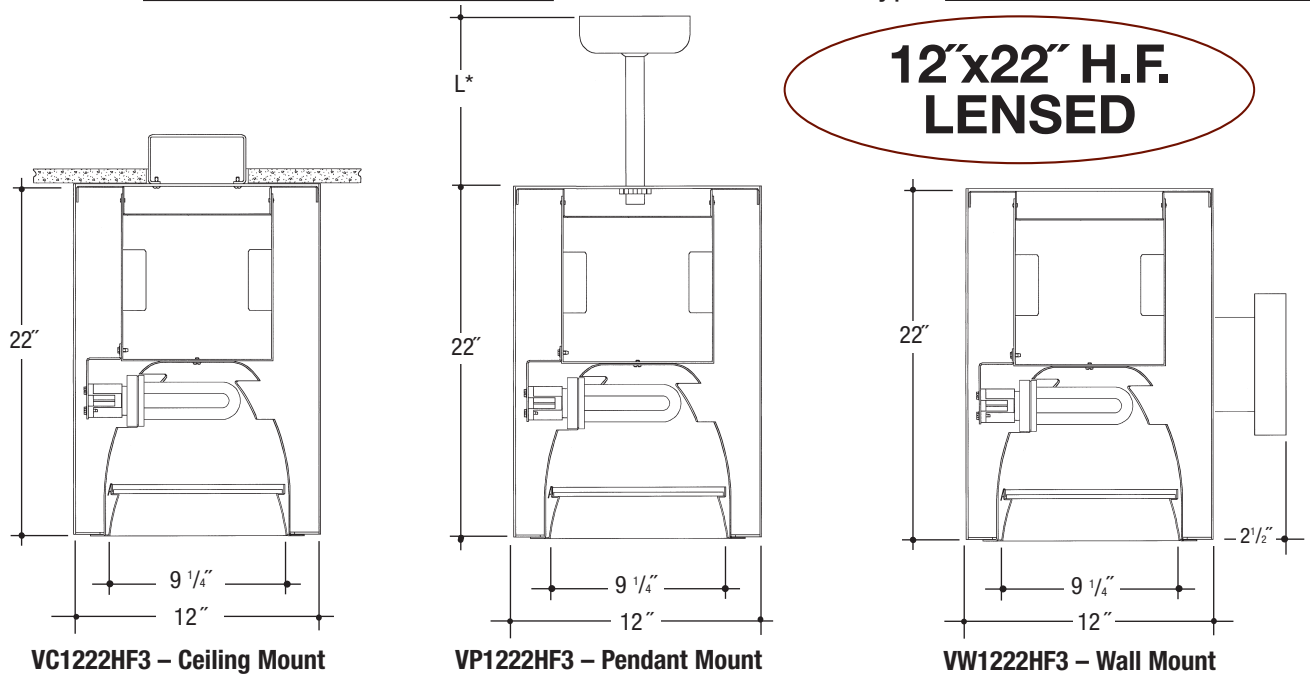


# Architectural Cylinders

Job Name \_\_\_\_\_ Type \_\_\_\_\_



## Cylinder – Horizontal Fluorescent 3-Lamp (Compact Fluorescent Triple or Quad Tube) Specular Clear “Alzak” Reflector Lensed

Catalog Number

	Wattage	Ballast	Voltage	Finish	Reflector	Lens	Options
<b>VC1222HF3</b>	57W MAX. PLT●●●	E	1	WHT	SCL	11	REM
<b>VP1222HF3</b>	42W PLT	DA	2	BLK	SGO	14	F
<b>VW1222HF3</b>	32W PLT		3	BZ	WHT	16	PF
	26W DTT, PLT		4	CS			
	18W DTT, PLT						
	13W DTT						

●●●2-Lamp Max. for 57W PLT

2-Lamp – Replace VC1222HF3 with VC1222HF2

Electronic Multi-Tap Ballast 120 Thru 277V Factory Standard

### Specifications

**Housing** – .064” thick spun aluminum cylinder. Polyester powdercoat exterior finish with factory standard finishes White (WHT), Black (BLK), Bronze (BZ) and Camero Silver (CS).

**Socket** – Thermo-plastic and positive locking. *UL Listed.*

**Ballasts** – Electronic ballasts, Class P, 50/60 HZ-120/277, Programmed Start, thermally protected, 98% Power Factor, 1.00 Ballast Factor, <10% THD, Class A sound rated. Minimum starting temperature -18°C/0°F.

Magnetic ballasts, High Power Factor, thermally protected, minimum starting temperature 10°C/50°F.

*UL Listed* component.

**Reflector** – Heavy gauge hand spun aluminum reflector with a specular clear “Alzak” finish and white splay/lens holder. (Factory Standard) White painted flange.

**Pendant** – Pendant mount accepts slope ceilings with a 45° swivel adjustment.

L\* – Factory Standard stem length is 12”.

**Wall Bracket** – Cast Aluminum Construction.

### Voltage

1	120 Volt
2	277 Volt
3	347 Volt
4	208 Volt

### Ballasts

E	Electronic	(4 Pin Lamp)
DA	Advance Mark X Dimming	(4 Pin Lamp)
*	13 Watt Advance Mark VII Only	(4 Pin Lamp)

### Splay/Lens Options ▲

11	Tempered Clear Lens
14	Tempered C73 Prismatic Lens
16	Tempered Fresnel Lens
SCL	Specular Clear “Alzak” with White Flange
SGO	Specular Gold “Alzak” with White Flange
WHT	White Finish with White Flange

### Options ▲

REM	Remote Emergency Battery
F	Fused
PF	High Polished Flange

### Features

Manufactured and Listed to UL 1598, ETL and CSA standards.

*Suitable for Damp Locations*

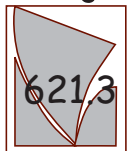
*Wet location under covered ceiling*



▲ See Options and Finishes pages for a list of additional finishes and equipment.

Vantage reserves the right to change components, finishes or design details in any manner which does not alter the installed appearance or reduce performance and intended function.

Vantage



Luminaires

76 Community Avenue Plainfield, CT 06374  
 voice (860) 564.4512 fax (860) 564.4854  
 www.vantageitg.com

02/11