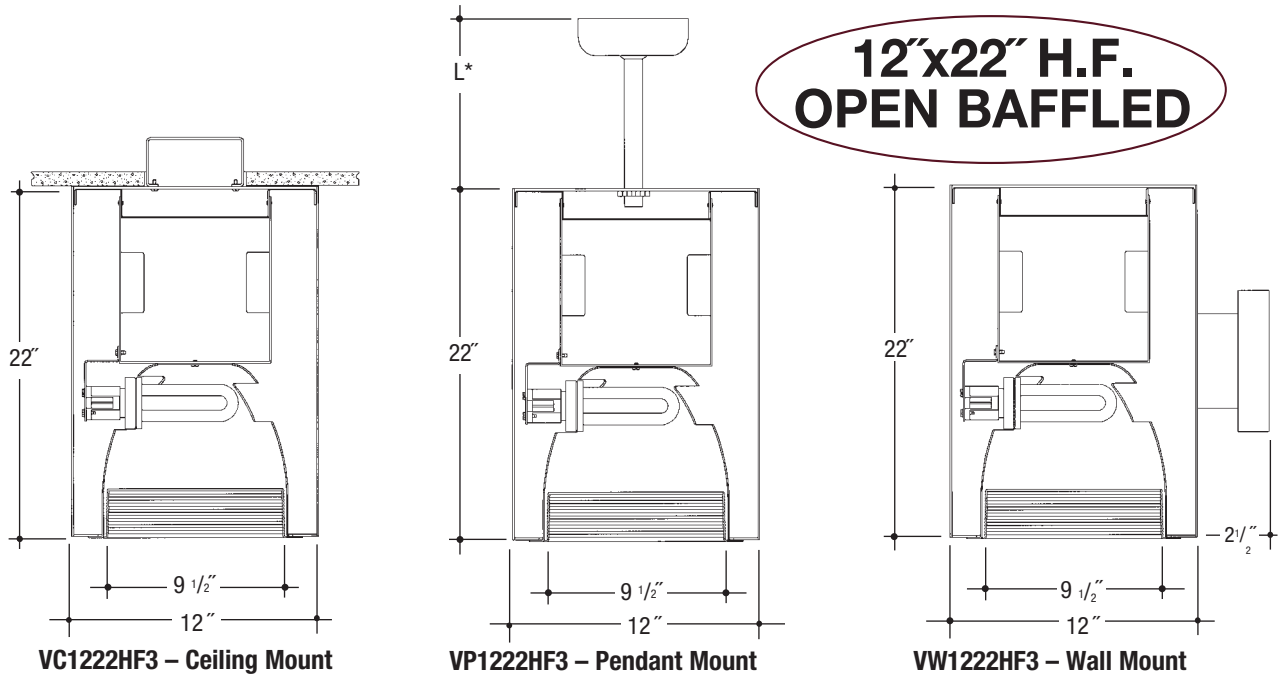


Architectural Cylinders

Job Name _____

Type _____



Cylinder – Horizontal Fluorescent 3-Lamp (Compact Fluorescent Triple or Quad Tube) Specular Clear “Alzak” Reflector with Baffle
 Catalog Number _____

	Wattage	Ballast	Voltage	Finish	Reflector	Options
VC1222HF3	57W MAX. PLT●●●	E	1	WHT	SCL/BL	REM
VP1222HF3	42W PLT	DA	2	BLK	SCL/WH	EMI
VW1222HF3	32W PLT		4	BZ	SGC/BL	F
	26W DTT, PLT			CS	SGC/WH	PF
	18W DTT, PLT				WHT/BL	
	13W DTT				WHT/WH	

●●●2-Lamp Max. for 57W PLT
 2-Lamp – Replace VC1222HF3 with VC1222HF2
 Electronic Multi-Tap Ballast 120 Thru 277V Factory Standard

Specifications

Housing – .064” thick spun aluminum cylinder. Polyester powdercoat exterior finish with factory standard finishes White (WHT), Black (BLK), Bronze (BZ) and Camero Silver (CS).

Socket – Thermo-plastic and positive locking. *UL Listed*.

Ballasts – Electronic ballasts, Class P, 50/60 HZ-120/277, Programmed Start, thermally protected, 98% Power Factor, 1.00 Ballast Factor, <10% THD, Class A sound rated. Minimum starting temperature -18°C/0°F.

Magnetic ballasts, High Power Factor, thermally protected, minimum starting temperature 10°C/50°F.

UL Listed component.

Reflector – Heavy gauge hand spun aluminum reflector with a specular “Alzak” finish with multi-groove baffle. White painted flange.

Pendant – Pendant mount accepts slope ceilings with a 45° swivel adjustment.
 L* – Factory Standard stem length is 12”.

Wall Bracket – Cast Aluminum Construction.

Voltage

- 1 120 Volt
- 2 277 Volt
- 4 208 Volt

Ballasts

- E Electronic (4 Pin Lamp)
- DA Advance Mark X Dimming (4 Pin Lamp)
- * 13 Watt Advance Mark VII Only (4 Pin Lamp)

Reflector Options ▲

- SCL/BL Clear “Alzak” Reflector with Black Baffle and White Flange
- SCL/WH Clear “Alzak” Reflector with White Baffle and White Flange
- SGC/BL Soft Glow Clear “Alzak” Reflector with Black Baffle and White Flange
- SGC/WH Soft Glow Clear “Alzak” Reflector with White Baffle and White Flange
- WHT/BL White Reflector with Black Baffle and White Flange
- WHT/WH White Reflector with White Baffle and White Flange

Options ▲

- REM Remote Emergency Battery
- EMI Internal Mounted Emergency Test Switch
- F Fused
- PF High Polished Flange

Features

Manufactured and Listed to UL 1598,
 ETL and CSA standards.
 Suitable for Damp Locations
 Wet location under covered ceiling



▲ See Options and Finishes pages for a list of additional finishes and equipment.

Vantage reserves the right to change components, finishes or design details in any manner which does not alter the installed appearance or reduce performance and intended function.

76 Community Avenue Plainfield, CT 06374
 voice (860) 564.4512 fax (860) 564.4854
 www.vantageitg.com

11/11



VANTAGE