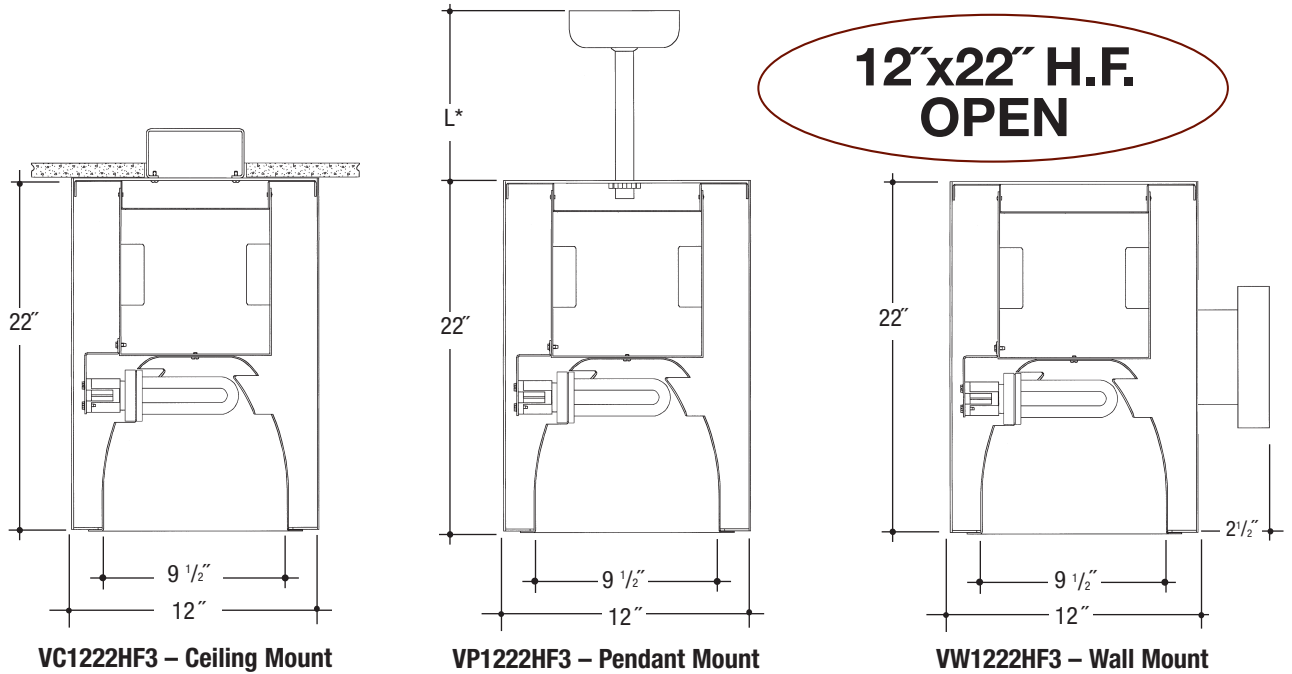


Architectural Cylinders

Job Name _____ Type _____



Cylinder – Horizontal Fluorescent 3-Lamp (Compact Fluorescent Triple or Quad Tube) Specular Clear “Alzak” Reflector

Catalog Number

	Wattage	Ballast	Voltage	Finish	Reflector	Options
VC1222HF3	57W MAX. PLT●●● 42W PLT 32W PLT 26W DTT, PLT 18W DTT, PLT 13W DTT	E DA	1 2 3 4	WHT BLK BZ CS	SCL SGO WHT	REM F PF
VP1222HF3						
VW1222HF3						

●●●2-Lamp Max. for 57W PLT

2-Lamp – Replace VC1222HF3 with VC1222HF2

Electronic Multi-Tap Ballast 120 Thru 277V Factory Standard

Specifications

Housing – .064” thick spun aluminum cylinder. Polyester powdercoat exterior finish with factory standard finishes White (WHT), Black (BLK), Bronze (BZ) and Camero Silver (CS).

Socket – Thermo-plastic and positive locking. *UL Listed.*

Ballasts – Electronic ballasts, Class P, 50/60 HZ-120/277, Programmed Start, thermally protected, 98% Power Factor, 1.00 Ballast Factor, <10% THD, Class A sound rated.

Minimum starting temperature -18°C/0°F.

Magnetic ballasts, High Power Factor, thermally protected, minimum starting temperature 10°C/50°F.

UL Listed component.

Reflector – Heavy gauge hand spun aluminum reflector with a specular “Alzak” finish. White painted flange.

Pendant – Pendant mount accepts slope ceilings with a 45° swivel adjustment.

L* – Factory Standard stem length is 12”.

Wall Bracket – Cast Aluminum Construction.

Voltage

1	120 Volt
2	277 Volt
3	347 Volt
4	208 Volt

Ballasts

E	Electronic	(4 Pin Lamp)
DA	Advance Mark X Dimming	(4 Pin Lamp)
*	13 Watt Advance Mark VII Only	(4 Pin Lamp)

Reflector Options ▲

SCL	Specular Clear “Alzak” with White Flange
SGO	Specular Gold “Alzak” with White Flange
WHT	White Reflector with White Flange

Options ▲

REM	Remote Emergency Battery
F	Fused
PF	High Polished Flange

Features

Manufactured and Listed to UL 1598, ETL and CSA standards.

Suitable for Damp Locations

Wet location under covered ceiling



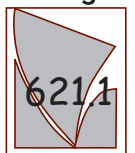
▲ See Options and Finishes pages for a list of additional finishes and equipment.

Vantage reserves the right to change components, finishes or design details in any manner which does not alter the installed appearance or reduce performance and intended function.

76 Community Avenue Plainfield, CT 06374
voice (860) 564.4512 fax (860) 564.4854
www.vantageitg.com

02/11

Vantage



Luminaires