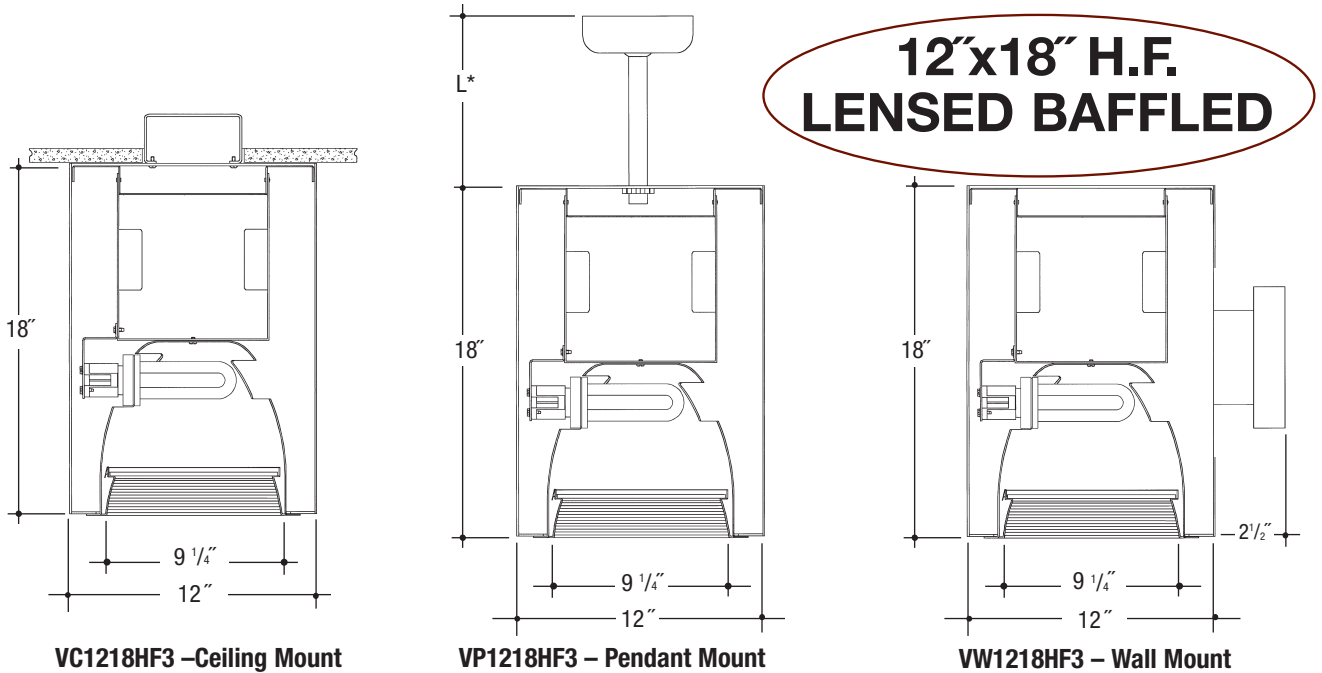


Architectural Cylinders

Job Name _____

Type _____



Cylinder – Horizontal Fluorescent 3-Lamp (Compact Fluorescent Triple or Quad Tube) Specular Clear “Alzak” Reflector Lensed Baffled
 Catalog Number _____

	Wattage	Ballast	Voltage	Finish	Splay	Lens	Options
VC1218HF3	42W MAX. PLT●●●	E	1	WHT	SCL/BL	11	REM
VP1218HF3	32W PLT●●●	DA	2	BLK	SCL/WH	14	F
VW1218HF3	26W DTT, PLT●●●		3	BZ		16	PF
	18W DTT, PLT●●●		4	CS			
	13W DTT						

●●● 2-Lamp – Max. for Triple Tube
 2-Lamp – Replace VC1218HF3 with VC1218HF2
 Electronic Multi-Tap Ballast 120 Thru 277V Factory Standard

Specifications

Housing – .064" thick spun aluminum cylinder. Polyester powdercoat exterior finish with factory standard finishes White (WHT), Black (BLK), Bronze (BZ) and Camero Silver (CS).
Socket – Thermo-plastic and positive locking. *UL Listed*.
Ballasts – Electronic ballasts, Class P, 50/60 HZ-120/277, Programmed Start, thermally protected, 98% Power Factor, 1.00 Ballast Factor, <10% THD, Class A sound rated. Minimum starting temperature -18°C/0°F. Magnetic ballasts, High Power Factor, thermally protected, minimum starting temperature 10°C/50°F. *UL Listed* component.
Reflector – Heavy gauge hand spun aluminum reflector with a specular clear “Alzak” finish and baffled splay/lens holder. (Factory Standard) White painted flange.
Pendant – Pendant mount accepts slope ceilings with a 45° swivel adjustment. L* – Factory Standard stem length is 12".
Wall Bracket – Cast Aluminum Construction.

Voltage

- 1 120 Volt
- 2 277 Volt
- 3 347 Volt
- 4 208 Volt

Ballasts

- E Electronic (4 Pin Lamp)
- DA Advance Mark X Dimming (4 Pin Lamp)
- * 13 Watt Advance Mark VII Only (4 Pin Lamp)

Splay/Lens Options ▲

- 11 Tempered Clear Lens
- 14 Tempered C73 Prismatic Lens
- 16 Tempered Fresnel Lens
- SCL/BL Black Baffle with White Flange
- SCL/WH White Baffle with White Flange

Options ▲

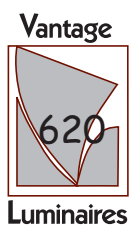
- REM Remote Emergency Battery
- F Fused
- PF High Polished Flange

Features

Manufactured and Listed to UL 1598, ETL and CSA standards. Suitable for Damp Locations. Wet location under covered ceiling



▲ See Options and Finishes pages for a list of additional finishes and equipment.
 Vantage reserves the right to change components, finishes or design details in any manner which does not alter the installed appearance or reduce performance and intended function.



76 Community Avenue Plainfield, CT 06374
 voice (860)564.4512 fax (860)564.4854
 www.vantageitg.com

01/11