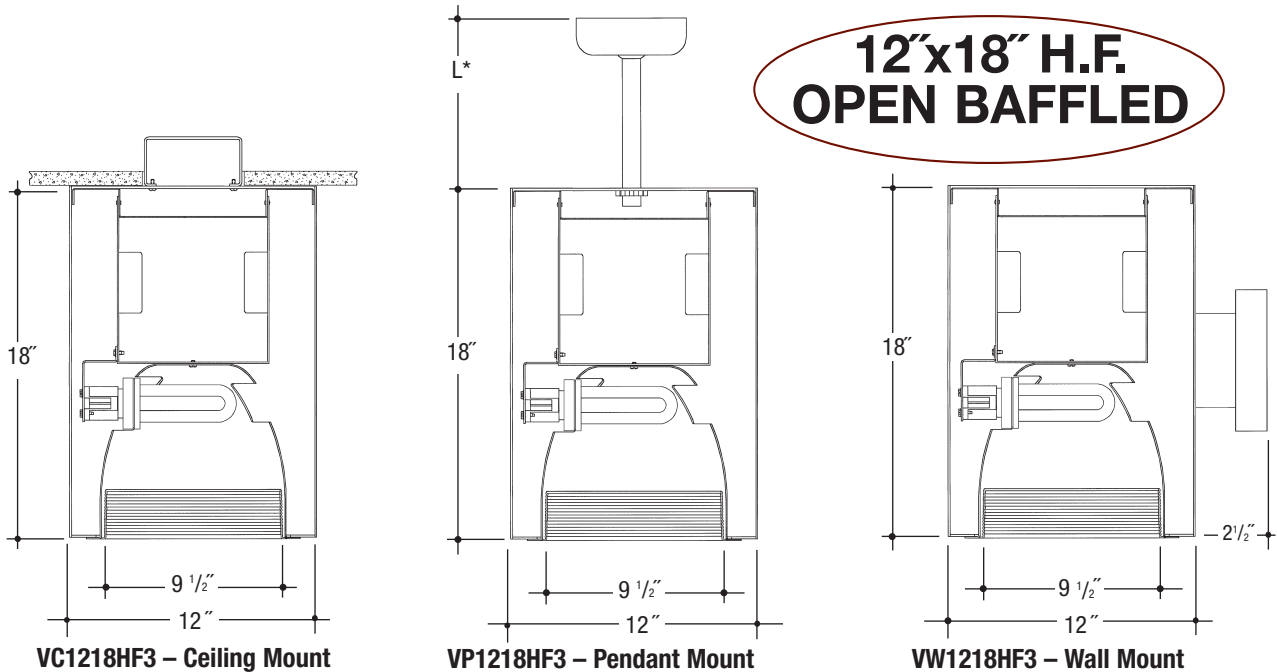


# Architectural Cylinders

Job Name \_\_\_\_\_

Type \_\_\_\_\_



## Cylinder – Horizontal Fluorescent 3-Lamp (Compact Fluorescent Triple or Quad Tube) Specular Clear “Alzak” Reflector with Baffle

Catalog Number

	Wattage	Ballast	Voltage	Finish	Reflector	Options
<b>VC1218HF3</b>						
<b>VP1218HF3</b>	42W MAX. PLT	E	1	WHT	SCL/BL	REM
<b>VW1218HF3</b>	32W PLT 26W DTT, PLT 18W DTT, PLT 13W DTT	DA	2 3 4	BLK BZ CS	SCL/WH SGO/BL SGO/WH WHT/BL WHT/WH	F PF

**2-Lamp** – Replace **VC1218HF3** with **VC1218HF2**  
Electronic Multi-Tap Ballast 120 Thru 277V Factory Standard

### Specifications

**Housing** – .064" thick spun aluminum cylinder. Polyester powdercoat exterior finish with factory standard finishes White (WHT), Black (BLK), Bronze (BZ) and Camero Silver (CS).

**Socket** – Thermo-plastic and positive locking. *UL Listed*.

**Ballasts** – Electronic ballasts, Class P, 50/60 HZ-120/277, Programmed Start, thermally protected, 98% Power Factor, 1.00 Ballast Factor, <10% THD, Class A sound rated. Minimum starting temperature -18°C/0°F.

Magnetic ballasts, High Power Factor, thermally protected, minimum starting temperature 10°C/50°F.  
*UL Listed* component.

**Reflector** – Heavy gauge hand spun aluminum reflector with a specular “Alzak” finish with multi-groove baffle. White painted flange.

**Pendant** – Pendant mount accepts slope ceilings with a 45° swivel adjustment.  
L\* – Factory Standard stem length is 12”.

**Wall Bracket** – Cast Aluminum Construction.

### Voltage

1	120 Volt
2	277 Volt
3	347 Volt
4	208 Volt

### Ballasts

E	Electronic	(4 Pin Lamp)
DA	Advance Mark X Dimming	(4 Pin Lamp)
*	13 Watt Advance Mark VII Only	(4 Pin Lamp)

### Reflector Options ▲

SCL/BL	Clear “Alzak” Reflector with Black Baffle and White Flange
SCL/WH	Clear “Alzak” Reflector with White Baffle and White Flange
SGO/BL	Gold “Alzak” Reflector with Black Baffle and White Flange
SGO/WH	Gold “Alzak” Reflector with White Baffle and White Flange
WHT/BL	White Reflector with Black Baffle and White Flange
WHT/WH	White Reflector with White Baffle and White Flange

### Options ▲

REM	Remote Emergency Battery
F	Fused
PF	High Polished Flange

### Features

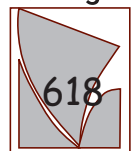
Manufactured and Listed to UL 1598, ETL and CSA standards.  
*Suitable for Damp Locations*  
*Wet location under covered ceiling*



▲ See Options and Finishes pages for a list of additional finishes and equipment.

Vantage reserves the right to change components, finishes or design details in any manner which does not alter the installed appearance or reduce performance and intended function.

Vantage



76 Community Avenue Plainfield, CT 06374  
voice (860)564.4512 fax (860)564.4854  
www.vantageitg.com

01/11

Luminaires