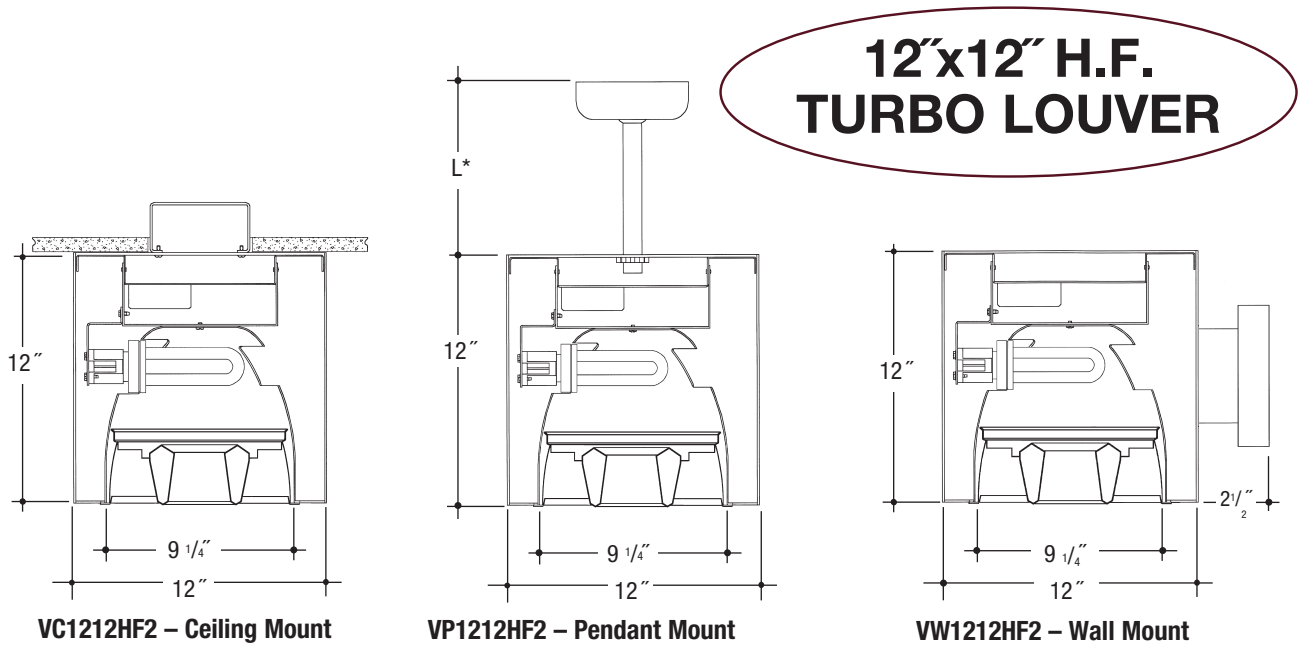


Architectural Cylinders

Job Name _____

Type _____



Cylinder – Horizontal Fluorescent 2-Lamp (Compact Fluorescent Triple or Quad Tube) Specular Clear “Alzak” Turbo Louver

Catalog Number

	Wattage	Ballast	Voltage	Finish	Reflector	Options
VC1212HF2	42W MAX. PLT*	E	1	WHT	76TBSCCL	REM
VP1212HF2	32W PLT	DA	2	BLK	76TBSSGC	EMI
VW1212HF2	26W DTT, PLT		4	BZ CS		WL

* 2x42W not available in dimming
Electronic Multi-Tap Ballast 120 Thru 277V Factory Standard

Specifications

Housing – .064” thick spun aluminum cylinder. Polyester powdercoat exterior finish with factory standard finishes White (WHT), Black (BLK), Bronze (BZ), Camero Silver (CS).

Socket – Thermo-plastic and positive locking. *UL Listed.*

Ballast – Electronic ballast, Class P, 50/60 HZ-120/277, Programmed Start, thermally protected, 98% Power Factor, 1.00 Ballast Factor, <10% THD, Class A sound rated. Minimum starting temperature -18°C/0°F. *UL Listed* component.

Reflector – Heavy gauge hand spun aluminum reflector with a specular “Alzak” low iridescent finish and parabolic turbo louver.

Pendant – Pendant mount accepts slope ceilings with a 45° swivel adjustment. L* – Factory Standard stem length is 12”.

Wall Bracket – Cast Aluminum Construction.

Voltage

1	120 Volt
2	277 Volt
4	208 Volt

Ballast

E	Electronic	(4 Pin Lamp)
DA	Advance Mark X Dimming	(4 Pin Lamp)

Reflector Options ▲

76TBSCCL	Specular Clear “Alzak” Turbo Louver
76TBSSGC	Soft Glow Clear “Alzak” Turbo Louver

Options ▲

REM	Remote Emergency Battery
EMI	Internal Mounted Emergency Test Switch
WL	Suitable for Wet Locations

Features

Manufactured and Listed to UL 1598, ETL and CSA standards. Suitable for Damp Locations Wet location under covered ceiling



▲ See Options and Finishes pages for a list of additional finishes and equipment.

Vantage reserves the right to change components, finishes or design details in any manner which does not alter the installed appearance or reduce performance and intended function.

76 Community Avenue Plainfield, CT 06374
voice (860) 564.4512 fax (860) 564.4854
www.vantageitg.com

11/11



VANTAGE