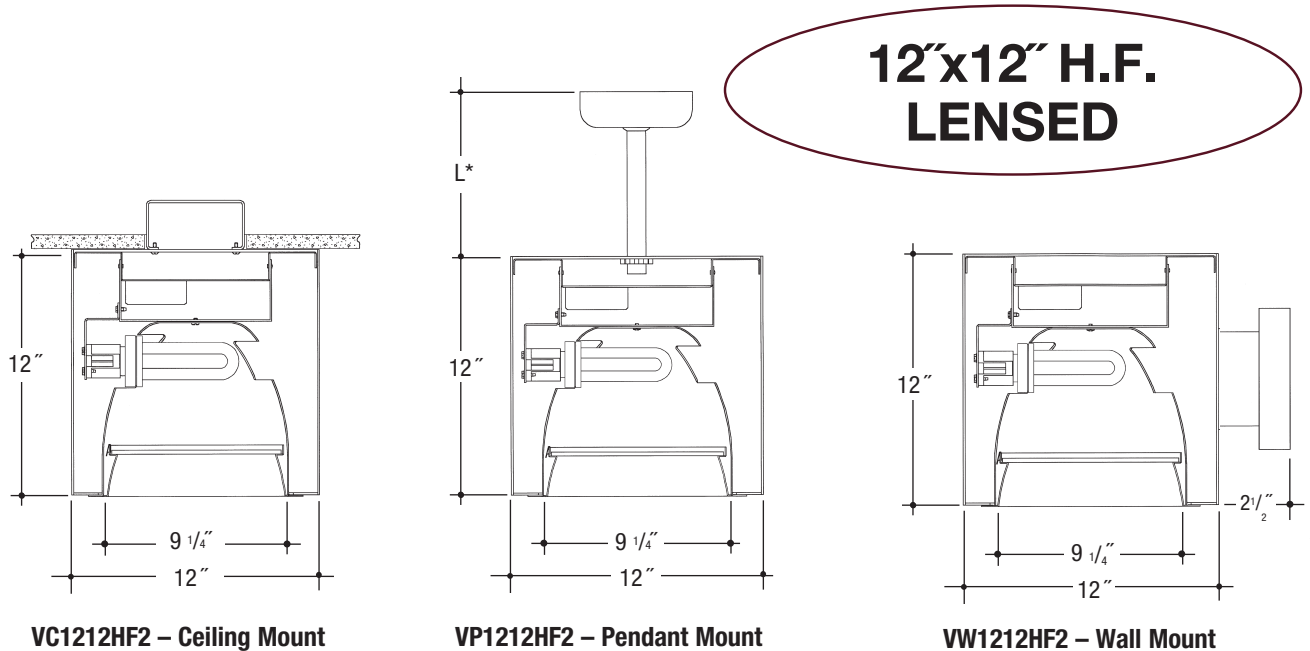


Architectural Cylinders

Job Name _____

Type _____



Cylinder – Horizontal Fluorescent 2-Lamp (Compact Fluorescent Triple or Quad Tube) Specular Clear “Alzak” Reflector Lensed
 Catalog Number _____

	Wattage	Ballast	Voltage	Finish	Reflector	Lens	Options
VC1212HF2							
VP1212HF2	42W MAX. PLT*	E	1	WHT	SCL	11	REM
VW1212HF2	32W PLT 26W DTT, PLT	DA	2 4	BLK BZ CS	SGC	14 16	WL

* 2x42W not available in dimming
 Electronic Multi-Tap Ballast 120 Thru 277V Factory Standard

Specifications

Housing – .064” thick spun aluminum cylinder. Polyester powdercoat exterior finish with factory standard finishes White (WHT), Black (BLK), Bronze (BZ), Camero Silver (CS).

Socket – Thermo-plastic and positive locking. *UL Listed*.

Ballast – Electronic ballast, Class P, 50/60 HZ-120/277, Programmed Start, thermally protected, 98% Power Factor, 1.00 Ballast Factor, <10% THD, Class A sound rated. Minimum starting temperature -18°C/0°F. *UL Listed* component.

Reflector – Heavy gauge hand spun aluminum reflector with a specular clear “Alzak” finish and clear splay/lens holder. (Factory Standard)

Pendant – Pendant mount accepts slope ceilings with a 45° swivel adjustment. L* – Factory Standard stem length is 12”.

Wall Bracket – Cast Aluminum Construction.

Voltage

1	120 Volt
2	277 Volt
4	208 Volt

Ballast

E	Electronic	(4 Pin Lamp)
DA	Advance Mark X Dimming	(4 Pin Lamp)

Splay/Lens Options ▲

11	Tempered Clear Lens
14	Tempered C73 Prismatic Lens
16	Tempered Fresnel Lens
SCL	Specular Clear “Alzak”
SGC	Soft Glow Clear “Alzak”

Options ▲

REM	Remote Emergency Battery
WL	Suitable for Wet Locations

Features

Manufactured and Listed to UL 1598, ETL and CSA standards. Suitable for Damp Locations Wet location under covered ceiling



▲ See Options and Finishes pages for a list of additional finishes and equipment.

Vantage reserves the right to change components, finishes or design details in any manner which does not alter the installed appearance or reduce performance and intended function.

76 Community Avenue Plainfield, CT 06374
 voice (860) 564.4512 fax (860) 564.4854
 www.vantageitg.com

11/11



VANTAGE

Photometric Information

Product Number: VC1212HF242E/SCL/16
Cylinder: 12"x12", Horizontal Mount Fluorescent
Reflector: 10" Horizontal Clear "Alzak" Reflector with fresnel glass lens and specular clear "Alzak" splay
LTL Test Number: 07548
Lamp(s) Source: (2) 42W DT 4 pin lamps rated at 3200 lumens
Total Luminaire Efficiency: 48.9%
CIE Type: Direct
Luminaire Spacing Criterion: 0.9/1.1/0.9
Luminous Diameter: 9.250

Zonal Lumen Summary

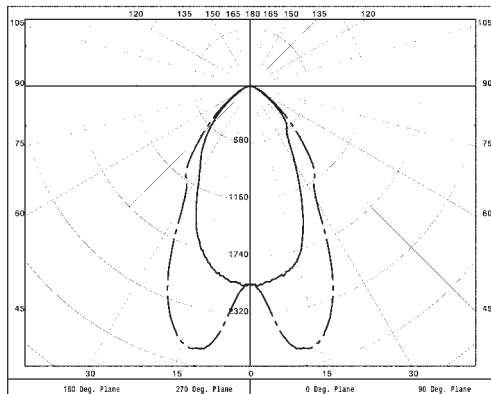
ZONE	LUMENS	%LAMP	%FIXTURE
0- 30	1655	25.9	52.8
0- 40	2296	35.9	73.3
0- 60	3004	46.9	95.9
0- 90	3132	48.9	100.0
90-180	0	0.0	0.0
0-180	3132	48.9	100.0

Cone of Light

Ft. Below	Fc Nadir	Dia @50%
6.0	56.1	6.2
8.0	31.5	8.3
10.0	20.2	10.4
12.0	14.0	12.4
14.0	10.3	14.5
16.0	7.9	16.6

Coefficients of Utilization

RC	80				70				50				30				10				0
	70	50	30	10	70	50	30	10	50	30	10	50	30	10	50	30	10	0			
0	58	58	58	58	57	57	57	57	54	54	54	52	52	52	50	50	50	49			
1	55	54	52	51	54	53	51	50	51	50	49	49	48	47	47	47	46	45			
2	52	49	47	45	51	49	46	45	47	45	44	45	44	43	44	43	42	41			
3	49	45	43	41	48	45	42	40	43	41	40	42	40	39	41	40	38	37			
4	46	42	39	36	45	41	38	36	40	38	36	39	37	35	38	36	35	34			
5	43	38	35	33	42	38	35	32	37	34	32	36	34	32	35	33	32	31			
6	40	35	32	30	40	35	32	30	34	31	29	34	31	29	33	31	29	28			
7	38	33	29	27	37	32	29	27	32	29	27	31	29	27	31	28	26	26			
8	35	30	27	24	35	30	27	24	29	26	24	29	26	24	28	26	24	23			
9	33	28	24	22	32	27	24	22	27	24	22	26	24	22	26	23	22	21			
10	31	25	22	20	30	25	22	20	25	22	20	24	22	20	24	21	20	19			



VANTAGE

08/07