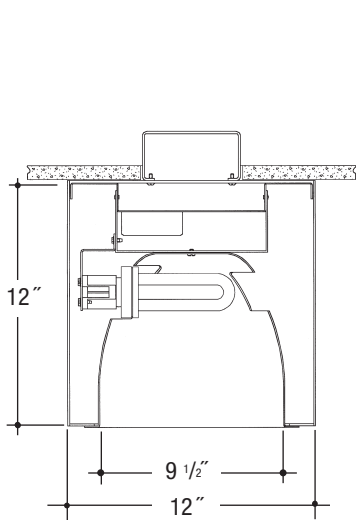


Architectural Cylinders

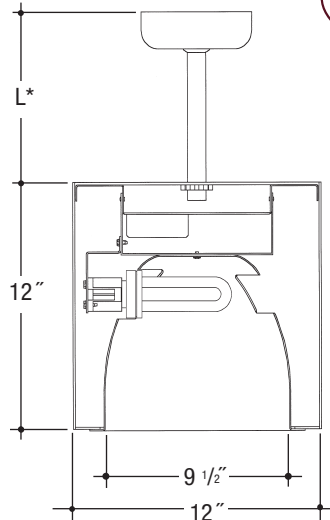
Job Name _____

Type _____

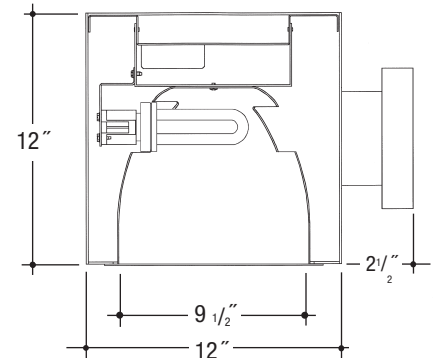
**12"x12" H.F.
OPEN**



VC1212HF2 – Ceiling Mount



VP1212HF2 – Pendant Mount



VW1212HF2 – Wall Mount

Cylinder – Horizontal Fluorescent 2-Lamp (Compact Fluorescent Triple or Quad Tube) Specular Clear “Alzak” Reflector

Catalog Number

	Wattage	Ballast	Voltage	Finish	Reflector	Options
VC1212HF2	42W MAX. PLT*	E	1	WHT	SCL	REM
VP1212HF2	32W PLT	DA	2	BLK	SGC	WL
VW1212HF2	26W DTT, PLT		4	BZ CS	WHT	

• 2x42W not available in dimming
Electronic Multi-Tap Ballast 120 Thru 277V Factory Standard

Specifications

Housing – .064" thick spun aluminum cylinder. Polyester powdercoat exterior finish with factory standard finishes White (WHT), Black (BLK), Bronze (BZ), Camero Silver (CS).

Socket – Thermo-plastic and positive locking. *UL Listed.*

Ballast – Electronic ballast, Class P, 50/60 HZ-120/277, Programmed Start, thermally protected, 98% Power Factor, 1.00 Ballast Factor, <10% THD, Class A sound rated. Minimum starting temperature -18°C/0°F. *UL Listed* component.

Reflector – Heavy gauge hand spun aluminum reflector with a specular “Alzak” low iridescent finish.

Pendant – Pendant mount accepts slope ceilings with a 45° swivel adjustment. L* – Factory Standard stem length is 12”.

Wall Bracket – Cast Aluminum Construction.

Voltage

1	120 Volt
2	277 Volt
4	208 Volt

Ballast

E	Electronic	(4 Pin Lamp)
DA	Advance Mark X Dimming	(4 Pin Lamp)

Reflector Options ▲

SCL	Specular Clear “Alzak”
SGC	Soft Glow Clear “Alzak”
WHT	White Reflector

Options ▲

REM	Remote Emergency Battery
WL	Suitable for Wet Locations

Features

Manufactured and Listed to UL 1598, ETL and CSA standards. Suitable for Damp Locations. Wet location under covered ceiling



▲ See Options and Finishes pages for a list of additional finishes and equipment.

Vantage reserves the right to change components, finishes or design details in any manner which does not alter the installed appearance or reduce performance and intended function.



Photometric Information

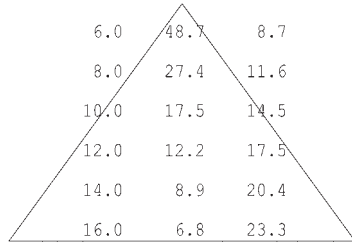
Product Number: VC1212HF242E/SCL
Cylinder: 12"x12", Horizontal Mount Fluorescent
Reflector: 10" Horizontal Clear "Alzak" Reflector
LTL Test Number: 07349
Lamp(s) Source: (2) 42W DT 4 pin lamps rated at 3200 lumens
Total Luminaire Efficiency: 61.2%
CIE Type: Direct
Luminaire Spacing Criterion: 1.3/1.5/1.4
Luminous Diameter: 9.500

Zonal Lumen Summary

ZONE	LUMENS	%LAMP	%FIXTURE
0- 30	1730	27.0	44.2
0- 40	2792	43.6	71.3
0- 60	3902	61.0	99.6
0- 90	3916	61.2	100.0
90-180	0	0.0	0.0
0-180	3916	61.2	100.0

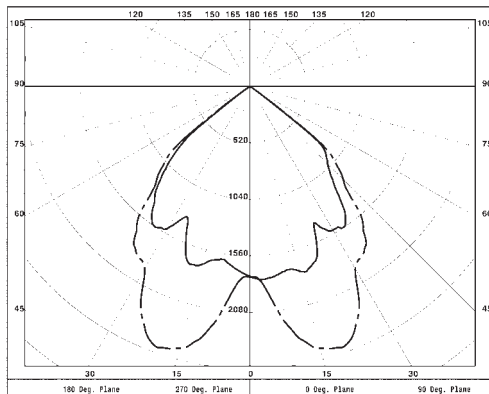
Cone of Light

Ft. Fc Dia
Below Nadir @50%



Coefficients of Utilization

RC	80				70				50				30				10				0
	70	50	30	10	70	50	30	10	50	30	10	50	30	10	50	30	10	0			
0	73	73	73	73	71	71	71	71	68	68	68	65	65	65	62	62	62	61			
1	69	67	65	64	67	66	64	63	63	62	61	61	60	59	59	58	57	56			
2	65	62	59	57	64	61	58	56	59	57	55	57	55	54	55	54	53	52			
3	61	57	53	51	60	56	53	50	54	52	49	53	51	49	51	49	48	47			
4	57	52	48	45	56	51	48	45	50	47	44	49	46	44	48	45	43	42			
5	54	48	44	40	52	47	43	40	46	42	40	45	42	40	44	41	39	38			
6	50	44	40	36	49	43	39	36	42	39	36	41	38	36	41	38	36	35			
7	47	40	36	33	46	39	35	32	39	35	32	38	35	32	37	34	32	31			
8	43	36	32	29	42	36	32	29	35	31	29	34	31	28	34	31	28	27			
9	40	33	28	25	39	32	28	25	32	28	25	31	27	25	30	27	25	24			
10	37	30	25	22	36	29	25	22	29	25	22	28	25	22	28	25	22	21			



VANTAGE

08/07