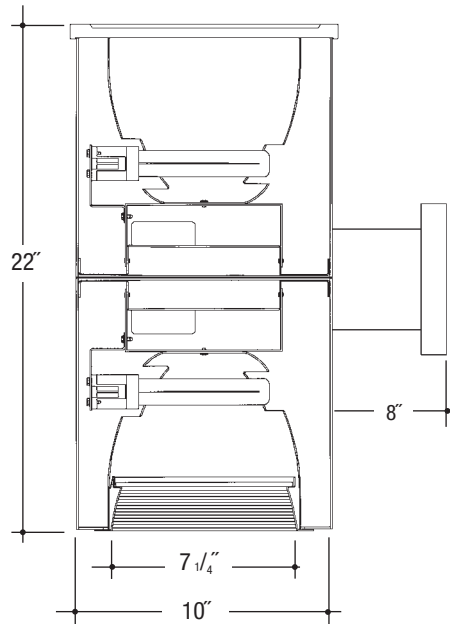


Architectural Cylinders

Job Name _____

Type _____



**10"x22" H.F.
LENSED BAFFLED
UP/DOWN**

VW1022HFU2/D2 - Wall Mount

Cylinder – Wall Mount Horizontal Fluorescent 2-Lamp Up 2-Lamp Down (Compact Fluorescent Quad or Triple Tube) “Alzak” Reflector Lensed Baffled
Catalog Number

VW1022HFU2/D2 _____ / _____

Up Wattage	Down Wattage	Ballast	Voltage	Finish	Splay	Lens	Options
42W MAX. PLT•••	42W MAX. PLT•••	E	1	WHT	SCL/BL	11	REM
32W PLT•••	32W PLT•••	DA	2	BLK	SCL/WH	14	WL
26W DTT, PLT•••	26W DTT, PLT•••		4	BZ		16	
18W DTT, PLT•••	18W DTT, PLT•••			CS			
13W DTT	13W DTT						

••• 1-Lamp – Max. for Triple Tube

1-Lamp – Replace **VW1022HFU2/D2** with **VW1022HFU1/D1**

Electronic Multi-Tap Ballast 120 Thru 277V Factory Standard

Specifications

Housing – .064" thick spun aluminum cylinder. Polyester powdercoat exterior finish with factory standard finishes White (WHT), Black (BLK), Bronze (BZ), Camero Silver (CS).

Socket – Thermo-plastic and positive locking. *UL Listed.*

Ballast – Electronic ballasts, Class P, 50/60 HZ-120/277, Programmed Start, thermally protected, 98% Power Factor, 1.00 Ballast Factor, <10% THD, Class A sound rated. Minimum starting temperature -18°C/0°F.

UL Listed component.

Reflector – Heavy gauge hand spun aluminum reflector with a specular clear “Alzak” finish and baffled splay/lens holder. (Factory Standard) White painted flange. Clear tempered lens up.

Pendant – Pendant Mount Consult Factory.

Wall Bracket – Cast Aluminum Construction.

Voltage

1	120 Volt
2	277 Volt
4	208 Volt

Ballast

E	Electronic	(4 Pin Lamp)
DA	Advance Mark X Dimming	(4 Pin Lamp)
*	13 Watt Advance Mark VII Only	(4 Pin Lamp)

Splay/Lens Options ▲

11	Tempered Clear Lens
14	Tempered C73 Prismatic Lens
16	Tempered Fresnel Lens
SCL/BL	Black Baffle with White Flange
SCL/WH	White Baffle with White Flange

Options ▲

REM	Remote Emergency Battery
WL	Sealed and Gasketed Lenses

Features

Manufactured and Listed to UL 1598, ETL and CSA standards.
Suitable for Damp Locations
Wet location under covered ceiling
Suitable for Wet Locations



▲ See Options and Finishes pages for a list of additional finishes and equipment.

Vantage reserves the right to change components, finishes or design details in any manner which does not alter the installed appearance or reduce performance and intended function.

76 Community Avenue Plainfield, CT 06374
voice (860) 564.4512 fax (860) 564.4854
www.vantageitg.com

11/11



VANTAGE