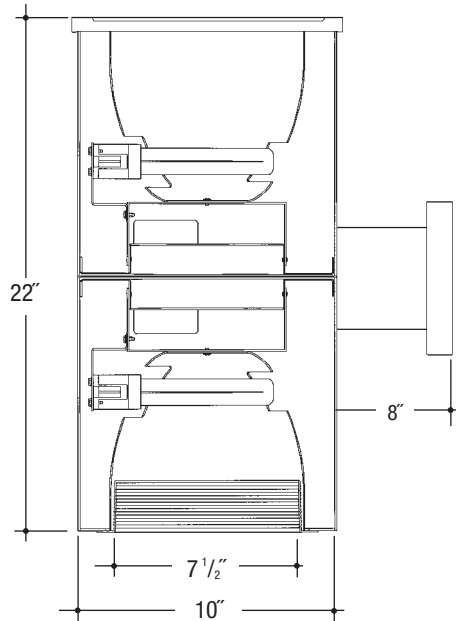


Architectural Cylinders

Job Name _____

Type _____



**10"x22" H.F.
OPEN BAFFLED
UP/DOWN**

VW1022HFU2/D2 - Wall Mount

Cylinder – Wall Mount Horizontal Fluorescent 2-Lamp Up 2-Lamp Down (Compact Fluorescent Quad or Triple Tube) “Alzak” Reflector with Baffle

Catalog Number _____ / _____

VW1022HFU2/D2

Up Wattage

Down Wattage

Ballast

Voltage

Finish

Reflector

Options

42W MAX. PLT•••	42W MAX. PLT•••	E	1	WHT	SCL/BL	REM
32W PLT•••	32W PLT•••	DA	2	BLK	SCL/WH	EMI
26W DTT, PLT•••	26W DTT, PLT•••		3	BZ	SGO/BL	WL
18W DTT, PLT•••	18W DTT, PLT•••		4	CS	SGO/WH	
13W DTT	13W DTT					

••• 1-Lamp – Max. for Triple Tube

1-Lamp – Replace VW1022HFU2/D2 with VW1022HFU1/D1

Electronic Multi-Tap Ballast 120 Thru 277V Factory Standard

Specifications

Housing – .064" thick spun aluminum cylinder. Polyester powdercoat exterior finish with factory standard finishes White (WHT), Black (BLK), Bronze (BZ), Camero Silver (CS).

Socket – Thermo-plastic and positive locking. *UL Listed.*

Ballast – Electronic ballasts, Class P, 50/60 HZ-120/277, Programmed Start, thermally protected, 98% Power Factor, 1.00 Ballast Factor, <10% THD, Class A sound rated. Minimum starting temperature -18°C/0°F. *UL Listed* component.

Reflector – Heavy gauge hand spun aluminum reflector with a specular “Alzak” low iridescent finish with multi-groove baffle. Clear tempered lens up.

Pendant – Pendant Mount Consult Factory.

Wall Bracket – Cast Aluminum Construction.

Voltage

1	120 Volt
2	277 Volt
3	347 Volt
4	208 Volt

Ballast

E	Electronic	(4 Pin Lamp)
DA	Advance Mark X Dimming	(4 Pin Lamp)
*	13 Watt Advance Mark VII Only	(4 Pin Lamp)

Reflector Options ▲

SCL/BL	Clear “Alzak” Reflector with Black Baffle
SCL/WH	Clear “Alzak” Reflector with White Baffle
SGO/BL	Gold “Alzak” Reflector with Black Baffle
SGO/WH	Gold “Alzak” Reflector with White Baffle

Options ▲

REM	Remote Emergency Battery
EMI	Internal Mounted Emergency Test Switch
WL	Sealed and Gasketed Uplight Lens

Features

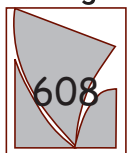
Manufactured and Listed to UL 1598, ETL and CSA standards. Suitable for Damp Locations Wet location under covered ceiling Suitable for Wet Locations



▲ See Options and Finishes pages for a list of additional finishes and equipment.

Vantage reserves the right to change components, finishes or design details in any manner which does not alter the installed appearance or reduce performance and intended function.

Vantage



Luminaires

76 Community Avenue Plainfield, CT 06374
voice (860)564.4512 fax (860)564.4854
www.vantageitg.com

06/07

Photometric Information

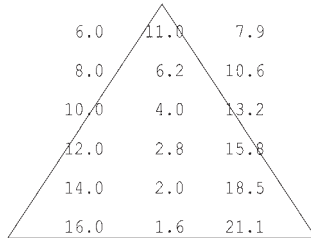
Product Number: VC1022HFU213/D213E/SCL/BL
Cylinder: 10"x22" Up/Down, Horizontal Mount Fluorescents
Reflector: 8" Horizontal Clear "Alzak" Reflector with Black Baffle
LTL Test Number: 05108 (Direct only)
Lamp(s) Source: (2) 13W PLC 4 pin lamps rated at 900 lumens
Total Luminaire Efficiency: 51.0%
CIE Type: Direct
Luminaire Spacing Criterion: 1.1/1.5/1.0
Luminous Diameter: 7.250

Zonal Lumen Summary

ZONE	LUMENS	%LAMP	%FIXTURE
0- 30	389	21.6	42.4
0- 40	608	33.8	66.3
0- 60	911	50.6	99.2
0- 90	918	51.0	100.0
90-180	0	0.0	0.0
0-180	918	51.0	100.0

Cone of Light

Ft. Fc Dia
Below Nadir @50%



Coefficients of Utilization

RC	80				70				50				30				10				0			
	RW	70	50	30	10	70	50	30	10	50	30	10	50	30	10	50	30	10	50	30	10	50	30	10
0	61	61	61	61	59	59	59	59	57	57	57	54	54	54	52	52	52	51						
1	57	56	54	53	56	55	53	52	53	52	51	51	50	49	49	48	48	47						
2	54	51	49	47	53	50	48	46	49	47	45	47	46	44	46	45	43	43						
3	51	47	44	42	50	46	44	41	45	43	41	44	42	40	42	41	39	39						
4	47	43	40	37	46	42	39	37	41	39	36	40	38	36	39	37	36	35						
5	44	39	36	33	43	39	35	33	38	35	33	37	34	32	36	34	32	31						
6	41	36	32	30	40	35	32	29	35	32	29	34	31	29	33	31	29	28						
7	38	33	29	26	38	32	29	26	31	28	26	31	28	26	30	28	26	25						
8	35	29	26	23	35	29	26	23	29	25	23	28	25	23	27	25	23	22						
9	33	27	23	20	32	26	23	20	26	22	20	25	22	20	25	22	20	19						
10	30	24	20	18	30	24	20	18	23	20	18	23	20	18	23	20	18	17						

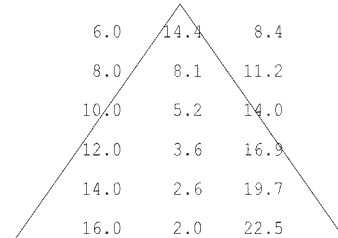
Product Number: VC1022HFU218/D218E/SCL/BL
Cylinder: 10"x22" Up/Down, Horizontal Mount Fluorescents
Reflector: 8" Horizontal Clear "Alzak" Reflector with Black Baffle
LTL Test Number: 05111 (Direct only)
Lamp(s) Source: (2) 18W DTT 4 pin lamps rated at 1250 lumens
Total Luminaire Efficiency: 49.9%
CIE Type: Direct
Luminaire Spacing Criterion: 1.1/1.5/1.2
Luminous Diameter: 7.250

Zonal Lumen Summary

ZONE	LUMENS	%LAMP	%FIXTURE
0- 30	525	21.0	42.1
0- 40	827	33.1	66.3
0- 60	1238	49.5	99.2
0- 90	1249	49.9	100.0
90-180	0	0.0	0.0
0-180	1249	49.9	100.0

Cone of Light

Ft. Fc Dia
Below Nadir @50%



Coefficients of Utilization

RC	80				70				50				30				10				0			
	RW	70	50	30	10	70	50	30	10	50	30	10	50	30	10	50	30	10	50	30	10	50	30	10
0	59	59	59	59	58	58	58	58	56	56	56	53	53	53	51	51	51	50						
1	56	55	53	52	55	54	52	51	52	50	50	50	49	48	48	47	47	46						
2	53	50	48	46	52	49	47	45	48	46	44	46	45	43	45	44	43	42						
3	50	46	43	41	49	45	43	40	44	42	40	43	41	39	41	40	39	38						
4	46	42	39	36	45	41	38	36	40	38	36	39	37	35	38	36	35	34						
5	43	38	35	32	42	38	35	32	37	34	32	36	33	32	35	33	31	30						
6	40	35	31	29	40	35	31	29	34	31	29	33	30	28	32	30	28	27						
7	37	32	28	26	37	31	28	26	31	28	26	30	27	25	30	27	25	24						
8	35	29	25	23	34	28	25	23	28	25	22	27	24	22	27	24	22	21						
9	32	26	22	20	31	26	22	20	25	22	20	25	22	20	24	21	19	19						
10	30	24	20	18	29	23	20	18	23	20	17	22	19	17	22	19	17	17						

