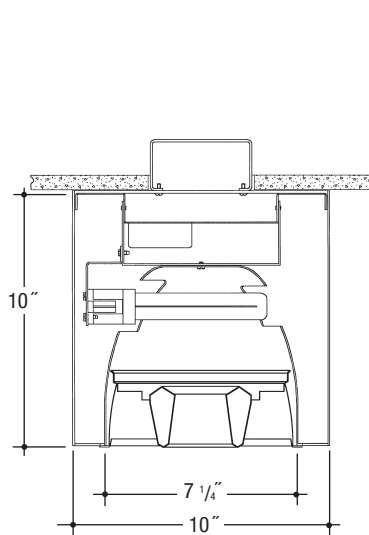


Architectural Cylinders

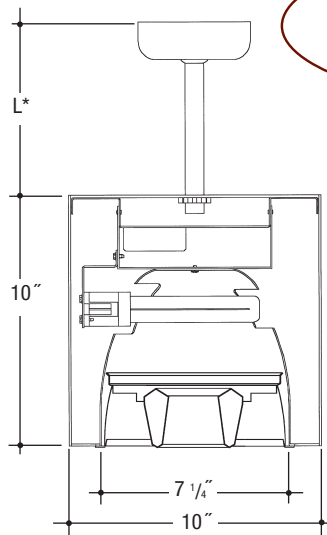
Job Name _____

Type _____

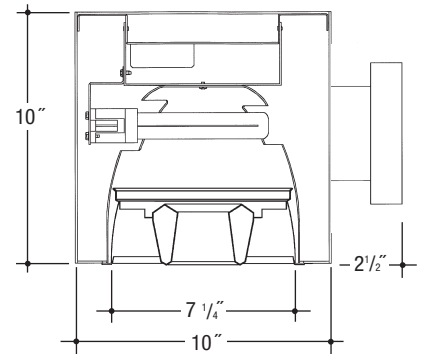
10"x10" H.F. TURBO LOUVER



VC1010HF2 – Ceiling Mount



VP1010HF2 – Pendant Mount



VW1010HF2 – Wall Mount

Cylinder – Horizontal Fluorescent 2-Lamp (Compact Fluorescent Quad or Triple Tube) Specular Clear “Alzak” Turbo Louver

Catalog Number

	Wattage	Ballast	Voltage	Finish	Reflector	Options
VC1010HF2						
VP1010HF2						
VW1010HF2	42W MAX. PLT ●●● 32W PLT●●● 26W MAX. DTT, PLT●●● 18W DTT, PLT●●● 13W DTT	E DA	1 2 3 4	WHT BLK BZ CS	76TBSCCL 76TBSSGO 76TBWHT	REM WL*

●●● 1-Lamp – Max. for Triple Tube

1-Lamp – Replace VC1010HF2 with VC1010HF1

Electronic Multi-Tap Ballast 120 Thru 277V Factory Standard

* - VC and VW Only

Specifications

Housing – .064" thick spun aluminum cylinder. Polyester powdercoat exterior finish with factory standard finishes White (WHT), Black (BLK), Bronze (BZ), Camero Silver (CS).

Socket – Thermo-plastic and positive locking. *UL Listed.*

Ballast – Electronic ballast, Class P, 50/60 HZ-120/277, Programmed Start, thermally protected, 98% Power Factor, 1.00 Ballast Factor, <10% THD, Class A sound rated.

Minimum starting temperature -18°C/0°F.

UL Listed component.

Reflector – Heavy gauge hand spun aluminum reflector with a specular “Alzak” low iridescent finish and parabolic turbo louver.

Pendant – Pendant mount accepts slope ceilings with a 45° swivel adjustment.

L* – Factory Standard stem length is 12".

Wall Bracket – Cast Aluminum Construction.

Voltage

1	120 Volt
2	277 Volt
3	347 Volt
4	208 Volt

Ballast

E	Electronic	(4 Pin Lamp)
DA	Advance Mark X Dimming	(4 Pin Lamp)
*	13 Watt Advance Mark VII Only	(4 Pin Lamp)

Reflector Options ▲

76TBSCCL	Specular Clear “Alzak” Turbo Louver
76TBSSGO	Specular Gold “Alzak” Turbo Louver
76TBWHT	White Turbo Louver

Options ▲

REM	Remote Emergency Battery
WL	Suitable for Wet Locations

Features

Manufactured and Listed to UL 1598, ETL and CSA standards.

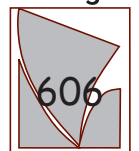
Suitable for Damp Locations
Wet location under covered ceiling
Suitable for Wet Locations



▲ See Options and Finishes pages for a list of additional finishes and equipment.

Vantage reserves the right to change components, finishes or design details in any manner which does not alter the installed appearance or reduce performance and intended function.

Vantage



Luminaires

76 Community Avenue Plainfield, CT 06374
voice (860)564.4512 fax (860)564.4854
www.vantageltg.com

01/11