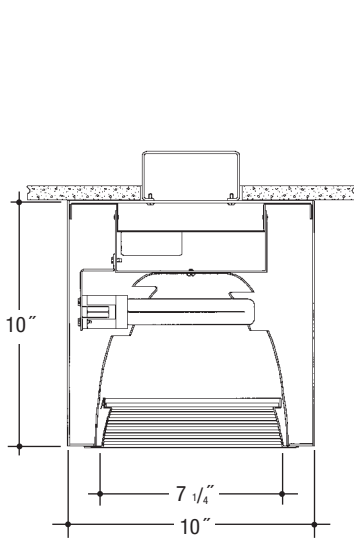


Architectural Cylinders

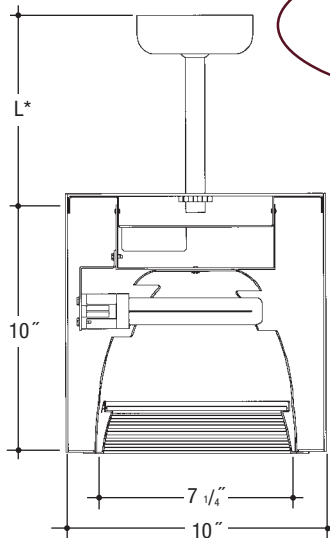
Job Name _____

Type _____

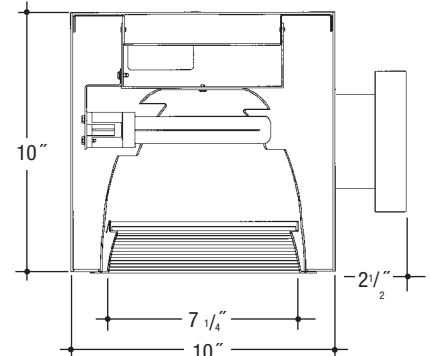
10"x10" H.F. LENSED BAFFLED



VC1010HF2 – Ceiling Mount



VP1010HF2 – Pendant Mount



VW1010HF2 –Wall Mount

Cylinder – Horizontal Fluorescent 2-Lamp (Compact Fluorescent Quad or Triple Tube) Clear “Alzak” Reflector Lensed Baffled

Catalog Number

	Wattage	Ballast	Voltage	Finish	Splay	Lens	Options
VC1010HF2							
VP1010HF2	42W MAX. PLT ●●●	E	1	WHT	SCL/BL	11	REM
VW1010HF2	32W PLT●●●	DA	2	BLK	SCL/WH	14	WL★
	26W DTT, PLT●●●		4	BZ		16	
	18W DTT, PLT●●●			CS			
	13W DTT						

●●● 1-Lamp – Max. for Triple Tube

1-Lamp – Replace VC1010HF2 with VC1010HF1

Electronic Multi-Tap Ballast 120 Thru 277V Factory Standard

★ - VC and VW Only

Specifications

Housing – .064" thick spun aluminum cylinder. Polyester powdercoat exterior finish with factory standard finishes White (WHT), Black (BLK), Bronze (BZ), Camero Silver (CS).

Socket – Thermo-plastic and positive locking. *UL Listed.*

Ballast – Electronic ballast, Class P, 50/60 HZ-120/277, Programmed Start, thermally protected, 98% Power Factor, 1.00 Ballast Factor, <10% THD, Class A sound rated.

Minimum starting temperature -18°C/0°F.

UL Listed component.

Reflector – Heavy gauge hand spun aluminum reflector with a specular clear “Alzak” finish and baffled splay/lens holder. (Factory Standard)

Pendant – Pendant mount accepts slope ceilings with a 45° swivel adjustment.

L* – Factory Standard stem length is 12".

Wall Bracket – Cast Aluminum Construction.

Voltage

- 1 120 Volt
- 2 277 Volt
- 4 208 Volt

Ballast

- E Electronic (4 Pin Lamp)
- DA Advance Mark X Dimming (4 Pin Lamp)
- * 13 Watt Advance Mark VII Only (4 Pin Lamp)

Splay/Lens Options ▲

- 11 Tempered Clear Lens
- 14 Tempered C73 Prismatic Lens
- 16 Tempered Fresnel Lens
- SCL/BL Black Baffle with White Flange
- SCL/WH White Baffle with White Flange

Options ▲

- REM Remote Emergency Battery
- WL Sealed and Gasketed for Wet Locations

Features

Manufactured and Listed to UL 1598,

ETL and CSA standards.

Suitable for Damp Locations

Wet location under covered ceiling

Suitable for Wet Locations



▲ See Options and Finishes pages for a list of additional finishes and equipment.

Vantage reserves the right to change components, finishes or design details in any manner which does not alter the installed appearance or reduce performance and intended function.

76 Community Avenue Plainfield, CT 06374

voice (860) 564.4512 fax (860) 564.4854

www.vantageitg.com

11/11



VANTAGE