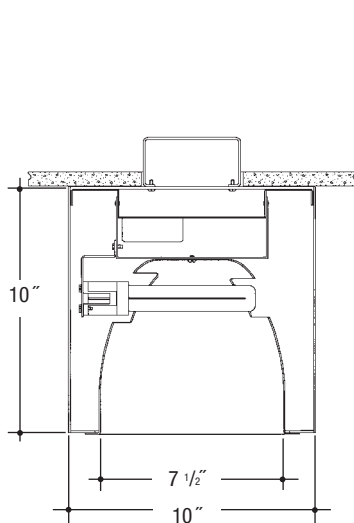


Architectural Cylinders

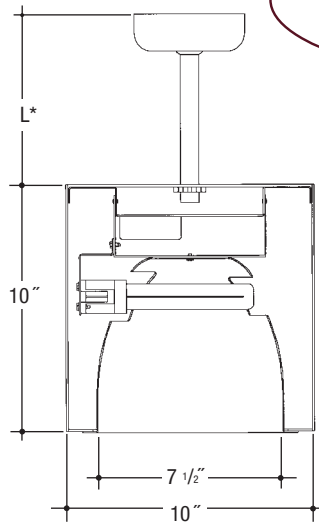
Job Name _____

Type _____

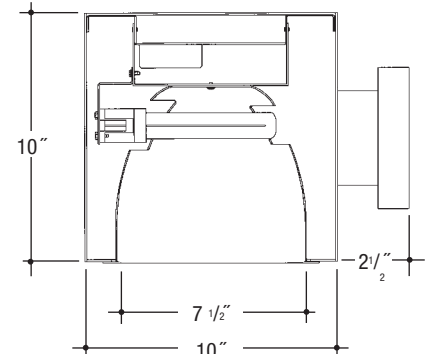
10"x10" H.F. OPEN



VC1010HF2 – Ceiling Mount



VP1010HF2 – Pendant Mount



VW1010HF2 – Wall Mount

Cylinder – Horizontal Fluorescent 2-Lamp (Compact Fluorescent Quad or Triple Tube) Specular Clear “Alzak” Reflector

Catalog Number

	Wattage	Ballast	Voltage	Finish	Reflector	Options
VC1010HF2	42W MAX. PLT●●● 32W PLT●●● 26W DTT, PLT●●● 18W DTT, PLT●●● 13W DTT	E DA	1 2 4	WHT BLK BZ CS	SCL SGC	REM WL*
VP1010HF2						
VW1010HF2						

●●● 1-Lamp – Max. for Triple Tube

1-Lamp – Replace VC1010HF2 with VC1010HF1

Electronic Multi-Tap Ballast 120 Thru 277V Factory Standard

* - VC and VW Only

Specifications

Housing – .064" thick spun aluminum cylinder. Polyester powdercoat exterior finish with factory standard finishes White (WHT), Black (BLK), Bronze (BZ), Camero Silver (CS).

Socket – Thermo-plastic and positive locking. *UL Listed.*

Ballast – Electronic ballast, Class P, 50/60 HZ-120/277, Programmed Start, thermally protected, 98% Power Factor, 1.00 Ballast Factor, <10% THD, Class A sound rated. Minimum starting temperature -18°C/0°F.

UL Listed component.

Reflector – Heavy gauge hand spun aluminum reflector with a specular “Alzak” low iridescent finish.

Pendant – Pendant mount accepts slope ceilings with a 45° swivel adjustment.

L* – Factory Standard stem length is 12”.

Wall Bracket – Cast Aluminum Construction.

Voltage

1	120 Volt
2	277 Volt
4	208 Volt

Ballast

E	Electronic	(4 Pin Lamp)
DA	Advance Mark X Dimming	(4 Pin Lamp)
*	13 Watt Advance Mark VII Only	(4 Pin Lamp)

Reflector Options ▲

SCL	Specular Clear “Alzak” with White Flange
SGC	Soft Glow Clear “Alzak” with White Flange

Options ▲

REM	Remote Emergency Battery
WL	Suitable for Wet Locations

Features

Manufactured and Listed to UL 1598, ETL and CSA standards.
Suitable for Damp Locations
Wet location under covered ceiling
Suitable for Wet Locations



▲ See Options and Finishes pages for a list of additional finishes and equipment.

Vantage reserves the right to change components, finishes or design details in any manner which does not alter the installed appearance or reduce performance and intended function.

76 Community Avenue Plainfield, CT 06374
voice (860) 564.4512 fax (860) 564.4854
www.vantageitg.com

11/11



VANTAGE

Photometric Information

Product Number: VC1010HF213E/SCL
Cylinder: 10"x10", Horizontal Mount Fluorescent
Reflector: 8" Horizontal Clear "Alzak" Reflector
LTL Test Number: 05107
Lamp(s) Source: (2) 13W PLC 4 pin lamps rated at 900 lumens
Total Luminaire Efficiency: 68.7%
CIE Type: Direct
Luminaire Spacing Criterion: 1.5/1.8/1.1
Luminous Diameter: 7.500

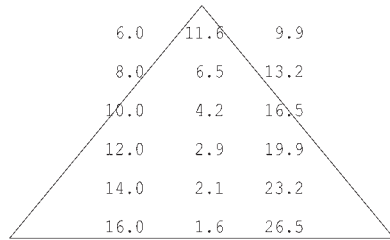
Product Number: VC1010HF218E/SCL
Cylinder: 10"x10", Horizontal Mount Fluorescent
Reflector: 8" Horizontal Clear "Alzak" Reflector
LTL Test Number: 05110
Lamp(s) Source: (2) 18W DTT 4 pin lamps rated at 1250 lumens
Total Luminaire Efficiency: 67.0%
CIE Type: Direct
Luminaire Spacing Criterion: 1.4/1.8/1.6
Luminous Diameter: 7.500

Zonal Lumen Summary

ZONE	LUMENS	%LAMP	%FIXTURE
0- 30	456	25.3	36.8
0- 40	755	42.0	61.0
0- 60	1227	68.2	99.2
0- 90	1237	68.7	100.0
90-180	0	0.0	0.0
0-180	1237	68.7	100.0

Cone of Light

Ft. Fc Dia
Below Nadir @50%



Coefficients of Utilization

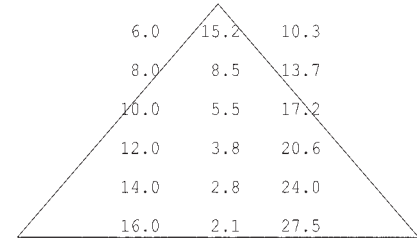
RC	80				70				50				30				10				0
RW	70	50	30	10	70	50	30	10	50	30	10	50	30	10	50	30	10	50	30	10	0
0	82	82	82	82	80	80	80	80	76	76	76	73	73	73	70	70	70	69	69	69	69
1	77	75	73	71	76	74	72	70	71	69	68	68	67	66	66	65	64	63	63	63	63
2	73	69	65	63	71	67	64	62	65	63	60	63	61	59	61	59	58	57	57	57	57
3	68	62	58	55	66	61	58	55	60	56	54	58	55	53	56	54	52	51	51	51	51
4	63	57	52	49	62	56	52	48	54	51	48	53	50	47	52	49	46	45	45	45	45
5	59	51	46	43	57	51	46	43	49	45	42	48	45	42	47	44	41	40	40	40	40
6	54	47	42	38	53	46	41	38	45	41	37	44	40	37	43	40	37	36	36	36	36
7	50	42	37	33	49	42	37	33	41	36	33	40	36	33	39	35	32	31	31	31	31
8	46	38	32	29	45	37	32	29	36	32	29	36	31	28	35	31	28	27	27	27	27
9	42	34	28	25	41	33	28	25	33	28	25	32	28	25	31	27	25	23	23	23	23
10	39	31	25	22	38	30	25	22	30	25	22	29	25	22	28	24	22	20	20	20	20

Zonal Lumen Summary

ZONE	LUMENS	%LAMP	%FIXTURE
0- 30	612	24.5	36.5
0- 40	1025	41.0	61.2
0- 60	1664	66.6	99.3
0- 90	1676	67.0	100.0
90-180	0	0.0	0.0
0-180	1676	67.0	100.0

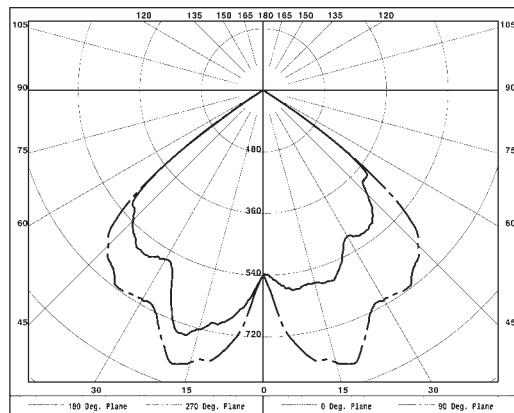
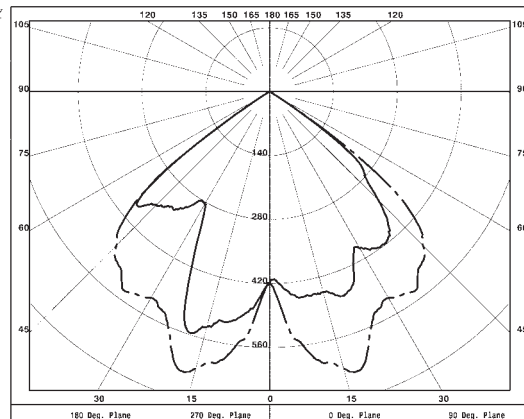
Cone of Light

Ft. Fc Dia
Below Nadir @50%



Coefficients of Utilization

RC	80				70				50				30				10				0
RW	70	50	30	10	70	50	30	10	50	30	10	50	30	10	50	30	10	50	30	10	0
0	80	80	80	80	78	78	78	78	75	75	75	71	71	71	68	68	68	67	67	67	67
1	75	73	71	69	74	72	70	68	69	67	66	66	65	64	64	63	62	61	61	61	61
2	71	67	64	61	69	66	63	60	63	61	59	61	59	58	59	58	56	55	55	55	55
3	66	61	57	54	65	60	56	53	58	55	52	56	54	51	55	53	51	49	49	49	49
4	62	55	51	47	60	54	50	47	53	49	46	52	48	46	50	48	45	44	44	44	44
5	57	50	45	42	56	49	45	41	48	44	41	47	43	41	46	43	40	39	39	39	39
6	53	45	40	37	52	45	40	37	44	40	36	43	39	36	42	38	36	35	35	35	35
7	49	41	36	32	48	41	36	32	44	40	32	39	35	32	38	34	32	30	30	30	30
8	45	37	32	28	44	36	31	28	35	31	28	35	31	28	34	30	28	26	26	26	26
9	41	33	28	24	40	32	28	24	32	27	24	31	27	24	30	27	24	23	23	23	23
10	38	30	25	21	37	29	25	21	29	24	21	28	24	21	27	24	21	20	20	20	20



Photometric Information

Product Number: VC1010HF226E/SCL
Cylinder: 10"x10", Horizontal Mount Fluorescent
Reflector: 8" Horizontal Clear "Alzak" Reflector
LTL Test Number: 05835
Lamp(s) Source: (2) 26W DTT 4 pin lamps rated at 1800 lumens
Total Luminaire Efficiency: 58.9%
CIE Type: Direct
Luminaire Spacing Criterion: 1.6/1.8/1.2
Luminous Diameter: 7.500

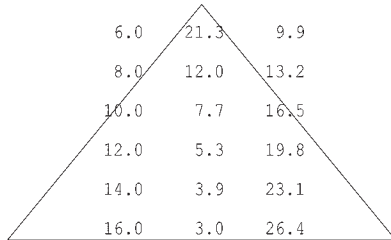
Product Number: VC1010THF232E/SCL
Cylinder: 10"x10", Horizontal Mount Fluorescent
Reflector: 8" Horizontal Clear "Alzak" Reflector
LTL Test Number: 06078
Lamp(s) Source: (2) 32W DT 4 pin lamps rated at 2400 lumens
Total Luminaire Efficiency: 62.4%
CIE Type: Direct
Luminaire Spacing Criterion: 1.4/1.8/1.1
Luminous Diameter: 7.500

Zonal Lumen Summary

ZONE	LUMENS	%LAMP	%FIXTURE
0- 30	743	20.7	35.0
0- 40	1283	35.6	60.5
0- 60	2103	58.4	99.1
0- 90	2122	58.9	100.0
90-180	0	0.0	0.0
0-180	2122	58.9	100.0

Cone of Light

Ft. Fc Dia
Below Nadir @50%



Coefficients of Utilization

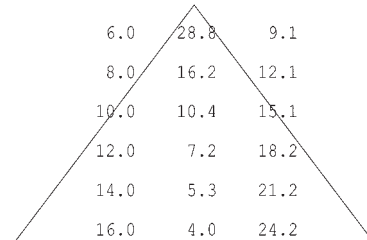
RC	80			70			50			30			10			0		
RW	70	50	30	10	70	50	30	10	50	30	10	50	30	10	50	30	10	0
0	70	70	70	70	69	69	69	69	66	66	66	63	63	63	60	60	60	59
1	66	64	62	61	65	63	61	60	61	59	58	58	57	56	56	55	55	54
2	62	59	56	53	61	58	55	53	56	53	52	54	52	51	52	51	49	48
3	58	53	50	47	57	53	49	47	51	48	46	49	47	45	48	46	44	43
4	54	48	44	41	53	48	44	41	46	43	41	45	42	40	44	42	40	39
5	50	44	39	36	49	43	39	36	42	38	36	41	38	35	40	37	35	34
6	46	40	35	32	45	39	35	32	38	34	32	37	34	31	36	33	31	30
7	43	36	31	28	42	35	31	28	34	31	28	34	30	28	33	30	27	26
8	39	32	27	24	38	32	27	24	31	27	24	30	27	24	29	26	24	23
9	36	28	24	21	35	28	24	21	27	23	21	27	23	21	26	23	20	19
10	33	26	21	18	32	25	21	18	25	21	18	24	21	18	24	20	18	17

Zonal Lumen Summary

ZONE	LUMENS	%LAMP	%FIXTURE
0- 30	989	20.6	33.0
0- 40	1655	34.5	55.2
0- 60	2921	60.8	97.5
0- 90	2997	62.4	100.0
90-180	0	0.0	0.0
0-180	2997	62.4	100.0

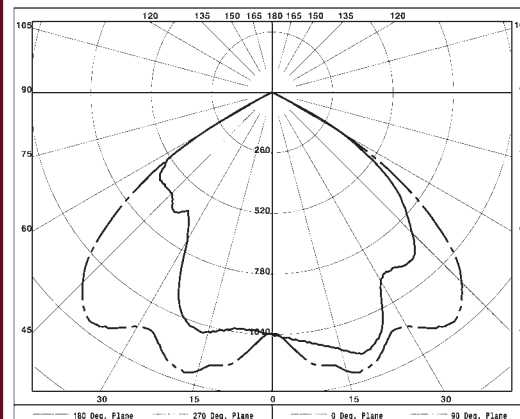
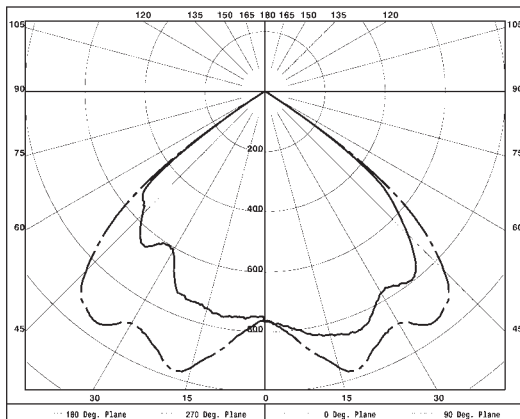
Cone of Light

Ft. Fc Dia
Below Nadir @50%



Coefficients of Utilization

RC	80			70			50			30			10			0		
RW	70	50	30	10	70	50	30	10	50	30	10	50	30	10	50	30	10	0
0	74	74	74	74	73	73	73	73	69	69	69	66	66	66	64	64	64	62
1	70	68	66	64	68	66	65	63	64	62	61	61	60	59	59	58	57	56
2	65	61	58	56	64	60	57	55	58	56	54	56	54	53	55	53	51	50
3	61	56	52	48	59	55	51	48	53	50	47	51	49	46	50	48	46	45
4	56	50	46	42	55	49	45	42	48	44	41	47	43	41	45	43	40	39
5	52	45	40	37	51	44	40	37	43	39	36	42	39	36	41	38	35	34
6	48	40	36	32	47	40	35	32	39	35	32	38	34	31	37	34	31	30
7	44	36	31	28	43	36	31	28	35	31	28	34	30	27	33	30	27	26
8	40	32	27	24	39	32	27	24	31	27	24	30	26	24	30	26	23	22
9	37	29	24	21	36	28	24	21	28	23	20	27	23	20	26	23	20	19
10	34	26	21	18	33	26	21	18	25	21	18	25	21	18	24	20	18	17



VANTAGE

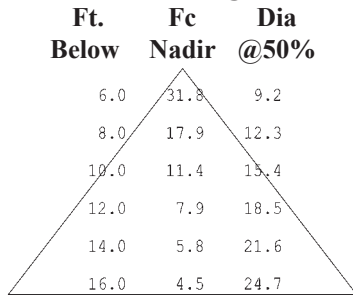
Photometric Information

Product Number: VC1010THF242E/SCL
Cylinder: 10"x10", Horizontal Mount Fluorescent
Reflector: 8" Horizontal Clear "Alzak" Reflector
LTL Test Number: 06081
Lamp(s) Source: (2) 42W DT 4 pin lamps rated at 3200 lumens
Total Luminaire Efficiency: 56.4%
CIE Type: Direct
Luminaire Spacing Criterion: 1.2/1.7/1.3
Luminous Diameter: 7.500

Zonal Lumen Summary

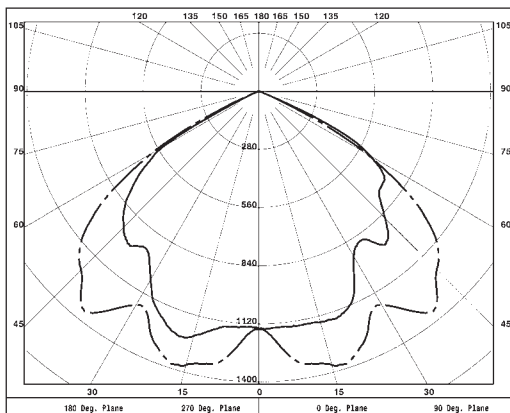
ZONE	LUMENS	%LAMP	%FIXTURE
0- 30	1085	17.0	30.1
0- 40	1826	28.5	50.6
0- 60	3364	52.6	93.2
0- 90	3610	56.4	100.0
90-180	0	0.0	0.0
0-180	3610	56.4	100.0

Cone of Light



Coefficients of Utilization

RC	80				70				50				30				10				0
	RW	70	50	30	10	70	50	30	10	50	30	10	50	30	10	50	30	10	0		
0	67	67	67	67	66	66	66	66	63	63	63	60	60	60	58	58	58	56			
1	63	61	59	57	61	60	58	56	57	56	55	55	54	53	53	52	51	50			
2	58	55	52	49	57	54	51	49	52	50	48	50	48	47	48	47	46	44			
3	54	49	45	42	53	48	45	42	47	44	41	45	43	41	44	42	40	39			
4	50	44	40	37	49	43	39	36	42	39	36	41	38	35	40	37	35	34			
5	46	39	35	31	45	39	34	31	37	34	31	36	33	31	35	33	30	29			
6	42	35	30	27	41	35	30	27	34	30	27	33	29	27	32	29	26	25			
7	39	31	27	23	38	31	26	23	30	26	23	29	26	23	29	25	23	22			
8	35	28	23	20	34	28	23	20	27	23	20	26	22	20	25	22	20	19			
9	32	25	20	17	32	25	20	17	24	20	17	23	20	17	23	19	17	16			
10	30	22	18	15	29	22	18	15	22	18	15	21	17	15	21	17	15	14			



VANTAGE