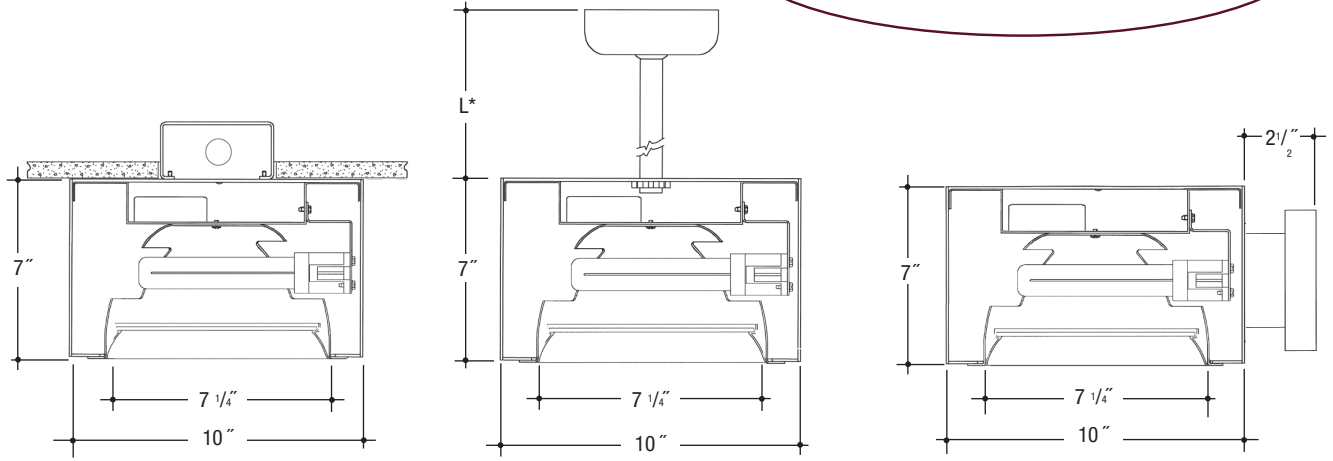


Architectural Cylinders

Job Name _____

10"x7" H.F. LENSED



VC107SHF2 – Ceiling Mount

VP107SHF2 – Pendant Mount

VW107SHF2 – Wall Mount

Cylinder – Horizontal Fluorescent 2-Lamp (Twin, Quad or Triple Tube) Clear “Alzak” Reflector Lensed

Catalog Number

	Wattage	Ballast	Voltage	Finish	Splay	Lens	Options
VC107SHF2							
VP107SHF2	42W MAX. PLT•••	E	1	WHT	SCL	11	REM
VW107SHF2	32W PLT••• 26W DTT, PLT••• 18W DTT, PLT••• 13W TT, DTT	DA	2 4	BLK BZ CS	SGC	14 16	

••• 1-Lamp – only for Triple Tube

1-Lamp – Replace VC107SHF2 with VC107SHF1

Electronic Multi-Tap Ballast 120 Thru 277V Factory Standard

Specifications

Housing – .064" thick spun aluminum cylinder. Polyester powdercoat exterior finish with factory standard finishes White (WHT), Black (BLK), Bronze (BZ), Camero Silver (CS).

Socket – Thermo-plastic and positive locking. *UL Listed.*

Ballast – Electronic ballast, Class P, 50/60 HZ-120/277, Programmed Start, thermally protected, 98% Power Factor, 1.00 Ballast Factor, <10% THD, Class A sound rated. Minimum starting temperature -18°C/0°F.

UL Listed component.

Reflector – Heavy gauge hand spun aluminum shallow reflector with a specular clear “Alzak” finish and clear splay/lens holder. (Factory Standard)

Pendant – Pendant mount accepts slope ceilings with a 45° swivel adjustment.

L* – Factory Standard stem length is 12".

Wall Bracket – Cast Aluminum Construction.

Voltage

1	120 Volt
2	277 Volt
4	208 Volt

Ballast

E	Electronic	(4 Pin Lamp)
DA	Advance Mark X Dimming	(4 Pin Lamp)
*	13 Watt Advance Mark VII Only	(4 Pin Lamp)

Splay/Lens Options ▲

11	Tempered Clear Lens
14	Tempered C73 Prismatic Lens
16	Tempered Fresnel Lens
SCL	Specular Clear “Alzak”
SGC	Soft Glow Clear “Alzak”

Options ▲

REM	Remote Emergency Battery
-----	--------------------------

Features

Manufactured and Listed to UL 1598, ETL and CSA standards. Suitable for Damp Locations Wet location under covered ceiling



▲ See Options and Finishes pages for a list of additional finishes and equipment.

Vantage reserves the right to change components, finishes or design details in any manner which does not alter the installed appearance or reduce performance and intended function.

76 Community Avenue Plainfield, CT 06374
voice (860) 564.4512 fax (860) 564.4854
www.vantageitg.com

11/11



VANTAGE