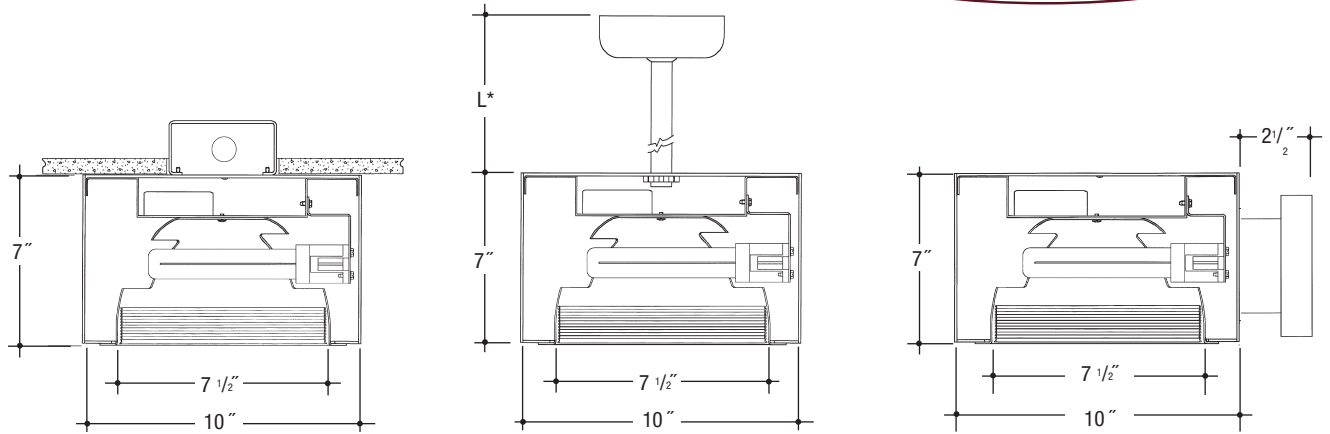


Architectural Cylinders

Job Name _____

Type _____

**10"x7" H.F.
OPEN BAFFLED**



VC107SHF2 – Ceiling Mount

VP107SHF2 – Pendant Mount

VW107SHF2 – Wall Mount

Cylinder – Horizontal Fluorescent 2-Lamp (Twin, Quad or Triple Tube) Specular Clear “Alzak” Reflector

Catalog Number

| | Wattage | Ballast | Voltage | Finish | Reflector | Options |
|------------------|-----------------|---------|---------|--------|-----------|---------|
| VC107SHF2 | 42W MAX. PLT••• | E | 1 | WHT | SCL/BL | REM |
| VP107SHF2 | 32W PLT••• | DA | 2 | BLK | SCL/WH | |
| VW107SHF2 | 26W DTT, PLT••• | | 3 | BZ | SGC/BL | |
| | 18W DTT, PLT••• | | 4 | CS | SGC/WH | |
| | 13W TT, DTT | | | | WHT/BL | |
| | | | | | WHT/WH | |

••• 1-Lamp – only for Triple Tube

1-Lamp – Replace VC107SHF2 with VC107SHF1

Electronic Multi-Tap Ballast 120 Thru 277V Factory Standard

Specifications

Housing – .064" thick spun aluminum cylinder. Polyester powdercoat exterior finish with factory standard finishes White (WHT), Black (BLK), Bronze (BZ), Camero Silver (CS).

Socket – Thermo-plastic and positive locking. *UL Listed.*

Ballast – Electronic ballast, Class P, 50/60 HZ-120/277, Programmed Start, thermally protected, 98% Power Factor, 1.00 Ballast Factor, <10% THD, Class A sound rated.

Minimum starting temperature -18°C/0°F.

UL Listed component.

Reflector – Heavy gauge hand spun aluminum shallow reflector with a specular “Alzak” finish and multi-groove baffle.

Pendant – Pendant mount accepts slope ceilings with a 45° swivel adjustment.

L* – Factory Standard stem length is 12”.

Wall Bracket – Cast Aluminum Construction.

Voltage

| | |
|---|----------|
| 1 | 120 Volt |
| 2 | 277 Volt |
| 3 | 347 Volt |
| 4 | 208 Volt |

Ballast

| | | |
|----|-------------------------------|--------------|
| E | Electronic | (4 Pin Lamp) |
| DA | Advance Mark X Dimming | (4 Pin Lamp) |
| * | 13 Watt Advance Mark VII Only | (4 Pin Lamp) |

Reflector Options ▲

| | |
|--------|---|
| SCL/BL | Clear “Alzak” Reflector with Black Baffle |
| SCL/WH | Clear “Alzak” Reflector with White Baffle |
| SGC/BL | Soft Glow Clear “Alzak” Reflector with Black Baffle |
| SGC/WH | Soft Glow Clear “Alzak” Reflector with White Baffle |
| WHT/BL | White Reflector with Black Baffle |
| WHT/WH | White Reflector with White Baffle |

Options ▲

| | |
|-----|--------------------------|
| REM | Remote Emergency Battery |
|-----|--------------------------|

Features

Manufactured and Listed to UL 1598, ETL and CSA standards.
Suitable for Damp Locations
Wet location under covered ceiling



▲ See Options and Finishes pages for a list of additional finishes and equipment.

Vantage reserves the right to change components, finishes or design details in any manner which does not alter the installed appearance or reduce performance and intended function.

