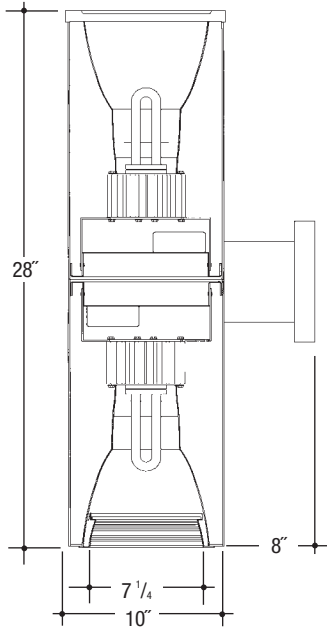


Architectural Cylinders

Job Name _____

Type _____



**10"x28" V.F.
LENSED BAFFLED
UP/DOWN**

VW1028VFU1/D1 - Wall Mount

Cylinder – Wall Mount Vertical Fluorescent 1-Lamp Up 1-Lamp Down (Triple or Quad Tube) “Alzak” Reflector Lensed Baffled
Catalog Number

VW1028VFU1/D1

Up Wattage	Down Wattage	Ballast	Voltage	Finish	Splay	Lens	Options
42W MAX. PLT	42W MAX. PLT	E	1	BLK	SCL/BL	11	REM
32W PLT	32W PLT	DA	2	WHT	SCL/WH	14	WL
26W DTT, PLT	26W DTT, PLT		3	BZ		16	
18W DTT, PLT	18W DTT, PLT		4	CS			
13W DTT	13W DTT						

Electronic Multi-Tap Ballast 120 Thru 277V Factory Standard

Specifications

Housing – .064" thick spun aluminum cylinder. Polyester powdercoat exterior finish with factory standard finishes White (WHT), Black (BLK), Bronze (BZ), Camero Silver (CS).

Socket – Thermo-plastic and positive locking. *UL Listed.*

Ballast – Electronic ballasts, Class P, 50/60 HZ-120/277, Programmed Start, thermally protected, 98% Power Factor, 1.00 Ballast Factor, <10% THD, Class A sound rated. Minimum starting temperature -18°C/0°F. *UL Listed* component.

Reflector – Heavy gauge hand spun aluminum reflector with a specular clear “Alzak” finish and baffled splay/lens holder. (Factory Standard) Clear tempered lens up.

Wall Bracket – Cast Aluminum Construction.

Voltage

- 1 120 Volt
- 2 277 Volt
- 3 347 Volt
- 4 208 Volt

Ballast

- E Electronic (4 Pin Lamp)
- DA Advance Mark X Dimming (4 Pin Lamp)
- * 13 Watt Advance Mark VII Only (4 Pin Lamp)

Reflector Options ▲

- 11 Tempered Clear Lens
- 14 Tempered C73 Prismatic Lens
- 16 Tempered Fresnel Lens
- SCL/BL Black Baffle with White Flange
- SCL/WH White Baffle with White Flange

Options ▲

- REM Remote Emergency Battery
- WL Suitable for Wet Location

Features

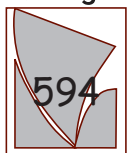
Manufactured and Listed to UL 1598, ETL and CSA standards.
Suitable for Damp Locations
Wet location under covered ceiling
Suitable for Wet Locations



▲ See Options and Finishes pages for a list of additional finishes and equipment.

Vantage reserves the right to change components, finishes or design details in any manner which does not alter the installed appearance or reduce performance and intended function.

Vantage



Luminaires

76 Community Avenue Plainfield, CT 06374
voice (860)564.4512 fax (860)564.4854
www.vantageitg.com

06/07