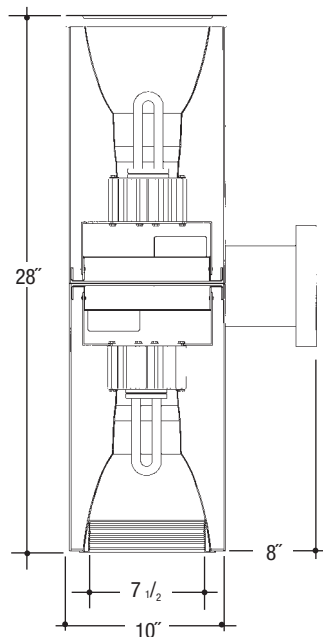


# Architectural Cylinders

Job Name \_\_\_\_\_

Type \_\_\_\_\_



**10"x28" V.F.  
OPEN OR BAFFLED  
UP/DOWN**

**VW1028VFU1/D1 - Wall Mount**

**Cylinder – Wall Mount Vertical Fluorescent 1-Lamp Up 1-Lamp Down (Triple or Quad Tube) “Alzak” Reflector or Baffle**  
Catalog Number \_\_\_\_\_ / \_\_\_\_\_

	Up Wattage	Down Wattage	Ballast	Voltage	Finish	Reflector	Options
<b>VW1028VFU1/D1</b>	42W MAX. PLT 32W PLT 26W DTT, PLT 18W DTT, PLT 13W DTT	42W MAX. PLT 32W PLT 26W DTT, PLT 18W DTT, PLT 13W DTT	E DA	1 2	BLK WHT BZ CS	SCL SGC WHT SCL/BL SCL/WH	REM WL

Electronic Multi-Tap Ballast 120 Thru 277V Factory Standard

## Specifications

**Housing** – .064" thick spun aluminum cylinder. Polyester powdercoat exterior finish with factory standard finishes White (WHT), Black (BLK), Bronze (BZ), Camero Silver (CS).

**Socket** – Thermo-plastic and positive locking. *UL Listed*.

**Ballast** – Electronic ballasts, Class P, 50/60 HZ-120/277, Programmed Start, thermally protected, 98% Power Factor, 1.00 Ballast Factor, <10% THD, Class A sound rated. Minimum starting temperature -18°C/0°F. *UL Listed* component.

**Reflector** – Heavy gauge hand spun aluminum reflector with a specular “Alzak” low iridescent finish or multi-groove baffle. Clear tempered lens up.

**Wall Bracket** – Cast Aluminum Construction.

## Voltage

- 1 120 Volt
- 2 277 Volt

## Ballast

- E Electronic (4 Pin Lamp)
- DA Advance Mark X Dimming (4 Pin Lamp)
- \* 13 Watt Advance Mark VII Only (4 Pin Lamp)

## Reflector Options ▲

- SCL Specular Clear “Alzak”
- SGC Soft Glow Clear “Alzak”
- WHT White Reflector
- SCL/BL Specular Clear “Alzak” with Black Baffle
- SCL/WH Specular Clear “Alzak” with Black Baffle

## Options ▲

- REM Remote Emergency Battery
- WL Suitable for Wet Location

## Features

Manufactured and Listed to UL 1598, ETL and CSA standards.  
*Suitable for Damp Locations*  
*Wet location under covered ceiling*



▲ See Options and Finishes pages for a list of additional finishes and equipment.

Vantage reserves the right to change components, finishes or design details in any manner which does not alter the installed appearance or reduce performance and intended function.

76 Community Avenue Plainfield, CT 06374  
voice (860) 564.4512 fax (860) 564.4854  
www.vantageitg.com

11/11



VANTAGE