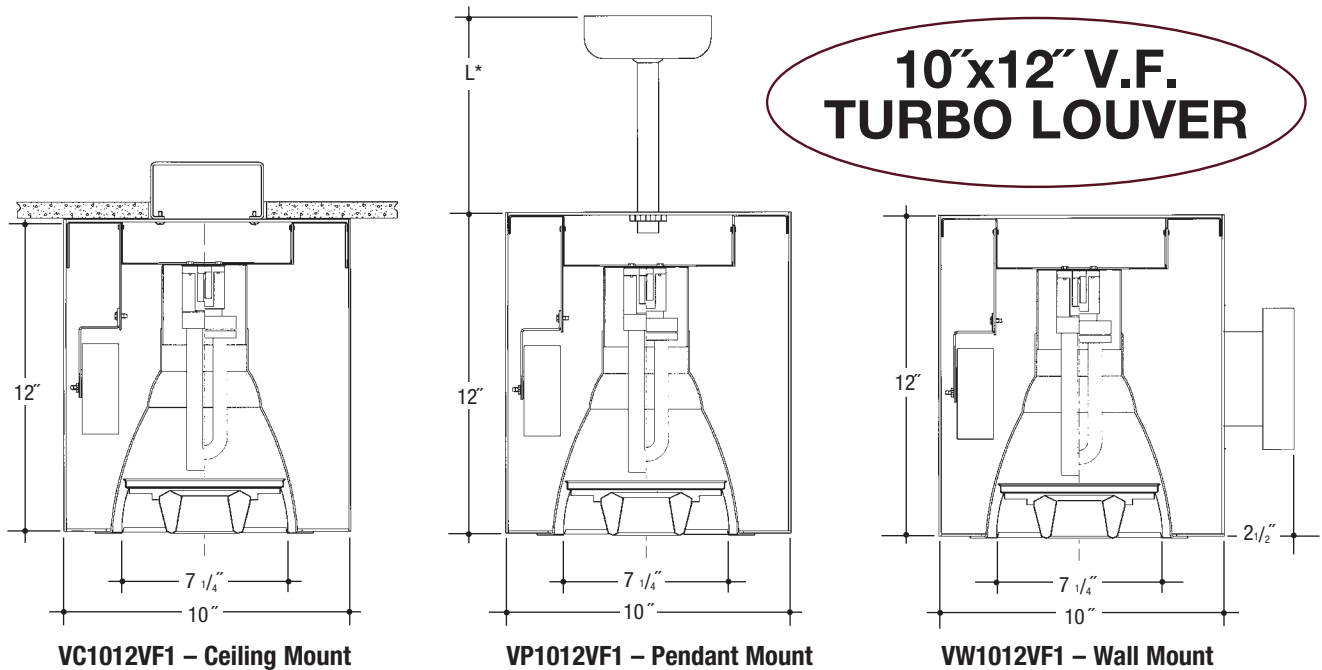


# Architectural Cylinders

Job Name \_\_\_\_\_

Type \_\_\_\_\_



## Cylinder – Vertical Fluorescent 1-Lamp (Compact Fluorescent Quad or Triple Tube) Specular Clear “Alzak” Turbo Louver

Catalog Number \_\_\_\_\_

	Wattage	Ballast	Voltage	Finish	Reflector	Options
<b>VC1012VF1</b>	42W MAX. PLT 32W PLT 26W DTT, PLT 18W DTT 13W DTT	E DA	1 2 4	WHT BLK BZ CS	76TBSCL 76TBSGC 76TBWHT	REM WL*
<b>VP1012VF1</b>						
<b>VW1012VF1</b>						

Electronic Multi-Tap Ballast 120 Thru 277V Factory Standard

\* - VC and VW Only

### Specifications

**Housing** – .064" thick spun aluminum cylinder. Polyester powdercoat exterior finish with factory standard finishes White (WHT), Black (BLK), Bronze (BZ), Camero Silver (CS).

**Socket** – Thermo-plastic and positive locking. *UL Listed*.

**Ballast** – Electronic ballast, Class P, 50/60 HZ-120/277, Programmed Start, thermally protected, 98% Power Factor, 1.00 Ballast Factor, <10% THD, Class A sound rated. Minimum starting temperature -18°C/0°F. *UL Listed* component.

**Reflector** – Heavy gauge hand spun aluminum reflector with a specular “Alzak” low iridescent finish and parabolic turbo louver. Rolled polished flange.

**Pendant** – Pendant mount accepts slope ceilings with a 45° swivel adjustment. L\* – Factory Standard stem length is 12'.

**Wall Bracket** – Cast Aluminum Construction.

### Voltage

1	120 Volt
2	277 Volt
4	208 Volt

### Ballast

E	Electronic	(4 Pin Lamp)
DA	Advance Mark X Dimming	(4 Pin Lamp)
*	13 Watt Advance Mark VII Only	(4 Pin Lamp)

### Reflector Options ▲

76TBSCL	Specular Clear “Alzak” Turbo Louver
76TBSGC	Soft Glow Clear “Alzak” Turbo Louver
76TBWHT	White Turbo Louver

### Options ▲

REM	Remote Emergency Battery
WL	Suitable for Wet Locations

### Features

Manufactured and Listed to UL 1598, ETL and CSA standards.  
Suitable for Damp Locations  
Wet location under covered ceiling  
Suitable for Wet Locations



▲ See Options and Finishes pages for a list of additional finishes and equipment.

Vantage reserves the right to change components, finishes or design details in any manner which does not alter the installed appearance or reduce performance and intended function.

76 Community Avenue Plainfield, CT 06374  
voice (860)564.4512 fax (860)564.4854  
www.vantageitg.com

11/11



VANTAGE