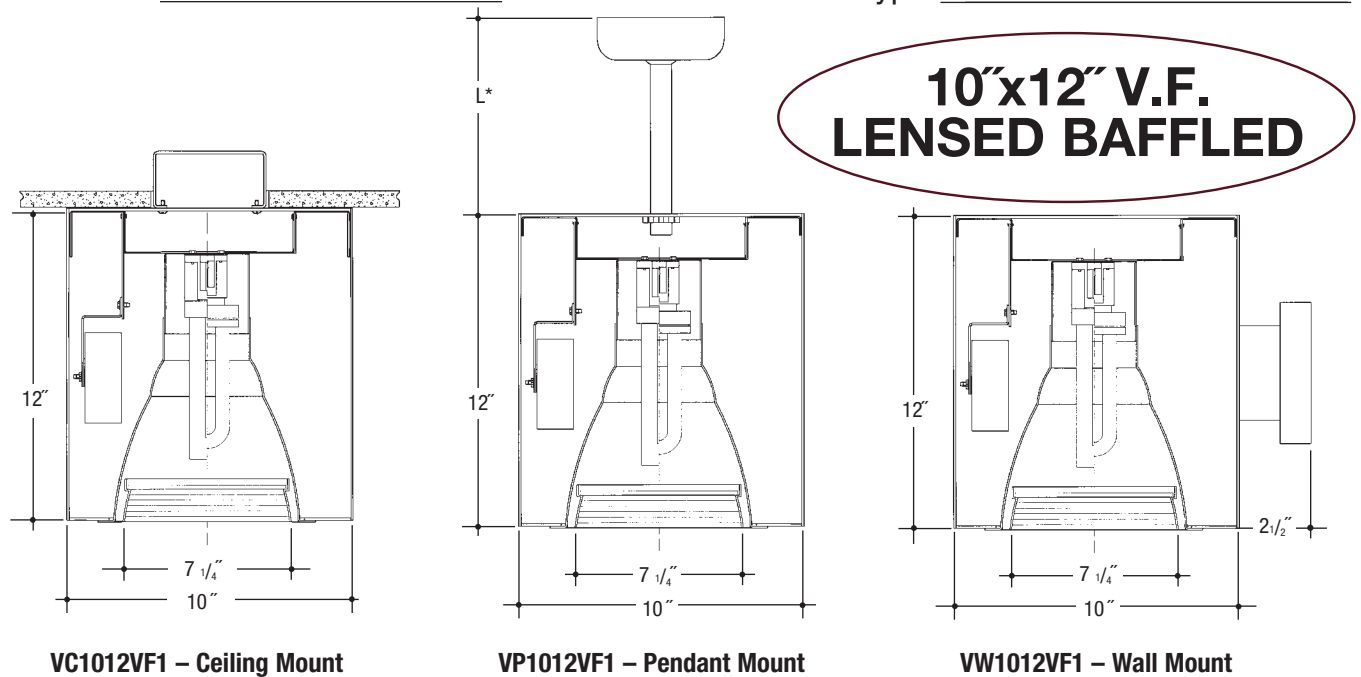


Architectural Cylinders

Job Name _____ Type _____



Cylinder – Vertical Fluorescent 1-Lamp (Compact Fluorescent Quad or Triple Tube) Clear “Alzak” Reflector Lensed Baffled
 Catalog Number _____

	Wattage	Ballast	Voltage	Finish	Splay	Lens	Options
VC1012VF1							
VP1012VF1							
VW1012VF1	42W MAX. PLT 32W PLT 26W DTT, PLT 18W DTT 13*W DTT	E DA	1 2 4	WHT BLK BZ CS	SCL/BL SCL/WH	11 14 16	REM WL*

Electronic Multi-Tap Ballast 120 Thru 277V Factory Standard

* - VC and VW Only

Specifications

Housing – .064" thick spun aluminum cylinder. Polyester powdercoat exterior finish with factory standard finishes White (WHT), Black (BLK), Bronze (BZ), Camero Silver (CS).

Socket – Thermo-plastic and positive locking. *UL Listed.*

Ballast – Electronic ballast, Class P, 50/60 HZ-120/277, Programmed Start, thermally protected, 98% Power Factor, 1.00 Ballast Factor, <10% THD, Class A sound rated. Minimum starting temperature -18°C/0°F. *UL Listed* component.

Reflector – Heavy gauge hand spun aluminum reflector with a specular clear “Alzak” finish and clear splay/lens holder. Flange to match cylinder color. (Factory Standard)

Pendant – Pendant mount accepts slope ceilings with a 45° swivel adjustment. L* – Factory Standard stem length is 12".

Wall Bracket – Cast Aluminum Construction.

Voltage

1	120 Volt
2	277 Volt
4	208 Volt

Ballast

E	Electronic	(4 Pin Lamp)
DA	Advance Mark X Dimming	(4 Pin Lamp)
*	13 Watt Advance Mark VII Only	(4 Pin Lamp)

Splay/Lens Options ▲

11	Tempered Clear Lens
14	Tempered C73 Prismatic Lens
16	Tempered Fresnel Lens
SCL/BL	Black Baffle with White Flange
SCL/WH	White Baffle with White Flange

Options ▲

REM	Remote Emergency Battery
WL	Sealed and Gasketed for Wet Locations

Features

Manufactured and Listed to UL 1598, ETL and CSA standards.
 Suitable for Damp Locations
 Wet location under covered ceiling
 Suitable for Wet Locations



▲ See Options and Finishes pages for a list of additional finishes and equipment.

Vantage reserves the right to change components, finishes or design details in any manner which does not alter the installed appearance or reduce performance and intended function.

76 Community Avenue Plainfield, CT 06374
 voice (860) 564.4512 fax (860) 564.4854
 www.vantageitg.com

11/11



VANTAGE