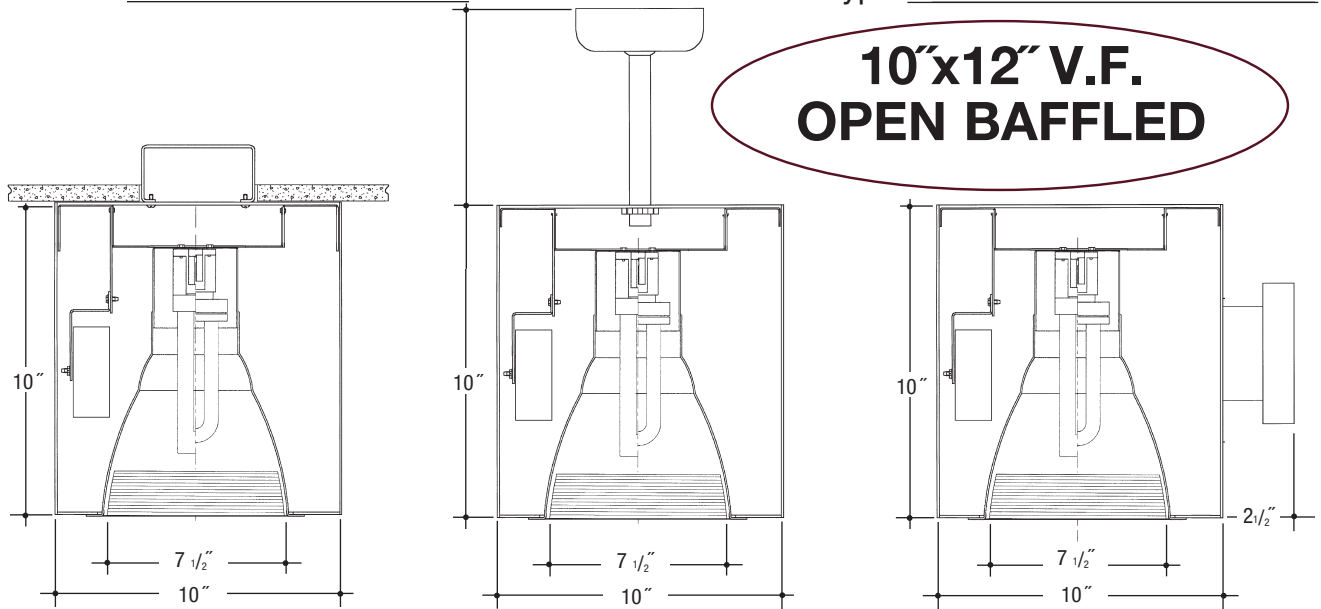


# Architectural Cylinders

Job Name \_\_\_\_\_

Type \_\_\_\_\_



VC1012VF1 – Ceiling Mount

VP1012VF1 – Pendant Mount

VW1012VF1 – Wall Mount

## Cylinder – Vertical Fluorescent 1-Lamp (Compact Fluorescent Quad or Triple Tube) Clear “Alzak” Reflector with Baffle

Catalog Number

	Wattage	Ballast	Voltage	Finish	Reflector	Options
VC1012VF1	42W MAX. PLT 32W PLT 26W DTT, PLT 18W DTT, PLT 13W DTT	E DA	1 2 3 4	WHT BLK BZ CS	SCL/BL SCL/WH SGC/BL SGC/WH	REM  WL
VP1012VF1						
VW1012VF1						

Electronic Multi-Tap Ballast 120 Thru 277V Factory Standard

### Specifications

**Housing** – .064" thick spun aluminum cylinder. Polyester powdercoat exterior finish with factory standard finishes White (WHT), Black (BLK), Bronze (BZ), Camero Silver (CS).

**Socket** – Thermo-plastic and positive locking. *UL Listed.*

**Ballast** – Electronic ballast, Class P, 50/60 HZ-120/277, Programmed Start, thermally protected, 98% Power Factor, 1.00 Ballast Factor, <10% THD, Class A sound rated. Minimum starting temperature -18°C/0°F. *UL Listed* component.

**Reflector** – Heavy gauge hand spun aluminum reflector with a specular “Alzak” low iridescent finish and rolled polished flange.

**Pendant** – Pendant mount accepts slope ceilings with a 45° swivel adjustment. L\* – Factory Standard stem length is 12".

**Wall Bracket** – Cast Aluminum Construction.

### Voltage

1	120 Volt
2	277 Volt
3	347 Volt
4	208 Volt

### Ballast

E	Electronic	(4 Pin Lamp)
DA	Advance Mark X Dimming	(4 Pin Lamp)
*	13 Watt Advance Mark VII Only	(4 Pin Lamp)

### Reflector Options ▲

SCL/BL	Clear “Alzak” Reflector with Black Baffle
SCL/WH	Clear “Alzak” Reflector with White Baffle
SGC/BL	Soft Glow Clear “Alzak” Reflector with Black Baffle
SGC/WH	Soft Glow Clear “Alzak” Reflector with White Baffle

### Options ▲

REM	Remote Emergency Battery
WL	Suitable for Wet Locations

### Features

Manufactured and Listed to UL 1598, ETL and CSA standards.  
Suitable for Damp Locations  
Wet location under covered ceiling  
Suitable for Wet Locations



▲ See Options and Finishes pages for a list of additional finishes and equipment.

Vantage reserves the right to change components, finishes or design details in any manner which does not alter the installed appearance or reduce performance and intended function.

76 Community Avenue Plainfield, CT 06374  
voice (860) 564.4512 fax (860) 564.4854  
www.vantageitg.com

09/11



VANTAGE