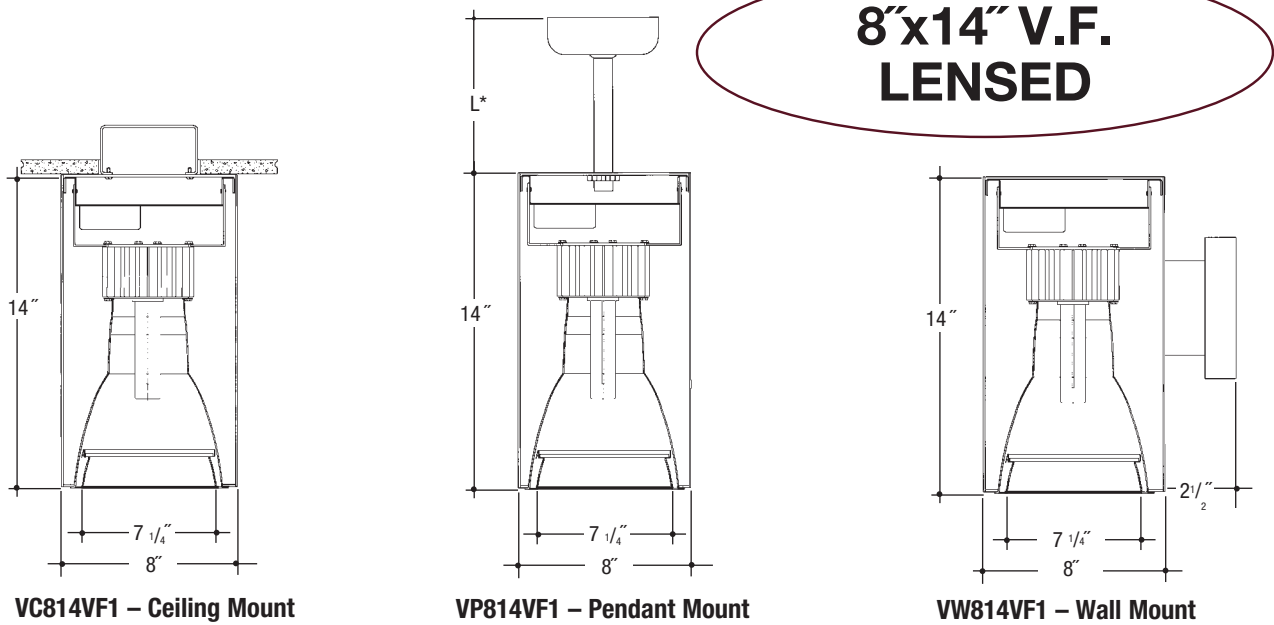


Architectural Cylinders

Job Name _____

Type _____



Cylinder – Vertical Fluorescent 1-Lamp (Compact Fluorescent Quad or Triple Tube) Clear “Alzak” Reflector Lensed

Catalog Number

	Wattage	Ballast	Voltage	Finish	Splay	Lens	Options
VC814VF1							
VP814VF1	32W MAX. PLT	E	1	WHT	SCL	11	REM
VW814VF1	26W DTT, PLT 18W DTT, PLT 13W DTT	DA	2	BLK BZ CS	SGC	14 16	WL*

Electronic Multi-Tap Ballast 120 Thru 277V Factory Standard

* - VC and VW Only

Specifications

Housing – .064” thick spun aluminum cylinder. Polyester powdercoat exterior finish with factory standard finishes White (WHT), Black (BLK), Bronze (BZ), Camero Silver (CS).

Socket – Thermo-plastic and positive locking. *UL Listed.*

Ballast – Electronic ballast, Class P, 50/60 HZ-120/277, Programmed Start, thermally protected, 98% Power Factor, 1.00 Ballast Factor, <10% THD, Class A sound rated. *UL Listed* component.

Reflector – Heavy gauge hand spun aluminum reflector with a specular clear “Alzak” finish and white splay/lens holder. (Factory Standard) Rolled polished flange.

Pendant – Pendant mount accepts slope ceilings with a 45° swivel adjustment.
L* – Factory Standard stem length is 12’.

Wall Bracket – Cast Aluminum Construction.

Voltage

1	120 Volt
2	277 Volt

Ballast

E	Electronic	(4 Pin Lamp)
DA	Advance Mark X Dimming	(4 Pin Lamp)
*	13 Watt Advance Mark VII Only	(4 Pin Lamp)

Splay/Lens Options ▲

11	Tempered Clear Lens
14	Tempered C73 Prismatic Lens
16	Tempered Fresnel Lens
SCL	Specular Clear “Alzak” with Polished Flange
SGC	Soft Glow Clear “Alzak” with Polished Flange

Options ▲

REM	Remote Emergency Ballast
WL‡	Suitable for Wet Locations

Features

Manufactured and Listed to UL 1598, ETL and CSA standards.
Suitable for Damp Locations
Wet location under covered ceiling



▲ See Options and Finishes pages for a list of additional finishes and equipment.

Vantage reserves the right to change components, finishes or design details in any manner which does not alter the installed appearance or reduce performance and intended function.

76 Community Avenue Plainfield, CT 06374
voice (860) 564.4512 fax (860) 564.4854
www.vantageitg.com

11/11



VANTAGE