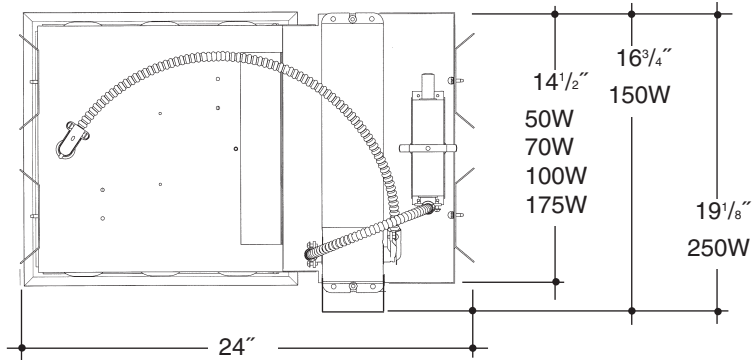


Architectural Squares

Job Name _____

Type _____



**12"x12"
LOUVERED SQUARE
HID**

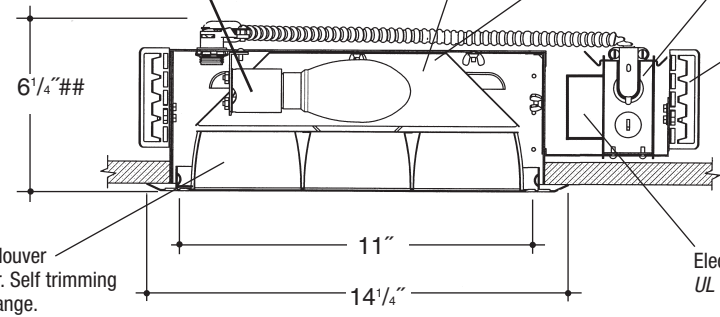
Heavy gauge aluminum, white powdercoat, vented housing.

Open rated, pulse rated, 4KV, medium base porcelain socket with nickel plated brass screw shell. *UL Listed* component.

Formed "Alzak" upper reflector.

Heavy gauge electrogalvanized steel junction box, prewired and grounded with easy access from below. Listed for through branch circuit wiring. Thermal cutout provided.

Adjustable height electrogalvanized plated steel mounting ears with cutouts for various mounting methods. Standard bars (included) are innovative and incorporate rigid formed cross sections, joist positioning tabs, integral nails, auxiliary nailholes, T-Bar slots and holes for locking bars to T-Bar using #8 self-tapping screws (by others). Bars extend 14"-24". Ears will also accept Caddy Bar #520 for fast installation in T-Bar ceilings, bars extend 27".



9 cell parabolic louver "Alzak" reflector. Self trimming white painted flange.

Electronic ballast factory standard. *UL Listed* component.

Rough in Kit and Louver – 12" x 12" HID (ED17 Open Rated* Lamp). *Note: 'Open Fixture Rated' lamp must be used.

Catalog Number **VSQ1212MHO**

	Wattage	Ballast	Voltage	Louver	Finish	Options
VSQ1212MHO	175W MAX. ED17 150W ED17 100W ED17 70W ED17 50W ED17	H P/R E	1 2 3 4	4CP 9CP 25CP CCL1/2 4CSB	SCL SGO WHT ECL	QR QS F PF .125 - 11 DGSK
VSQ1212MHOM##	250W ED28 (Mogul Base)					

– Housing Depth 9 1/4"

HPS – Replace **VSQ1212MHO** with **VSQ1212HPSO**

HPS – High Pressure Sodium available up to 250 Watt.##

Ballast	Louver Finish (Factory Standard)	Voltage
H Encased & Potted 'F' Can	SCL Specular Clear "Alzak" with White Flange	1 120 Volts
P/R Pulse Rated	SGO Specular Gold "Alzak" with White Flange	2 277 Volts
E Electronic	SGC Soft Glow Clear "Alzak" (Semi-Spec) with White Flange	3 347 Volts
Louver	ECL Etched Clear "Alzak" (Haze) with White Flange	4 208 Volts
4CP 4 Cell Parabolic		Options ▲
9CP 9 Cell Parabolic		QR Quartz Restrike
25CP 25 Cell Parabolic		QS Quartz Socket
CCL1/2 1/2"x1/2" Cube Cell Louver		F Fused
4CSB 4 Cell Straight Blade		PF High Polished Flange
		.125 - 11 Clear Tempered Lens Overlay
		DGSK Neoprene Foam Double Gasketing

Features

Manufactured and Listed to UL 1598, ETL and CSA standards.
Suitable for Damp Locations
Wet location under covered ceiling



▲ See Options and Finishes pages for a list of additional finishes and equipment.

Vantage reserves the right to change components, finishes or design details in any manner which does not alter the installed appearance or reduce performance and intended function.

Vantage



76 Community Avenue Plainfield, CT 06374
voice (860)564.4512 fax (860)564.4854
www.vantageitg.com

03/10

Luminaires