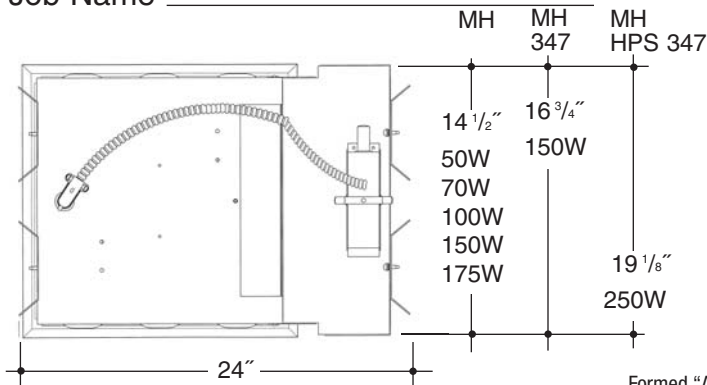


# Architectural Squares

Job Name \_\_\_\_\_

Type \_\_\_\_\_



**12"x12"  
LENSED SQUARE  
HID**

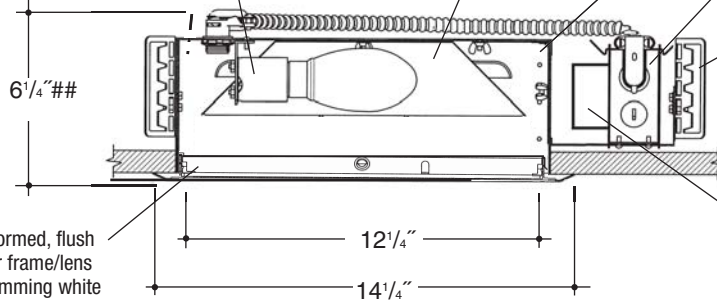
Heavy gauge aluminum, white powdercoat, vented housing.

Enclosed rated, pulse rated, 4KV, medium base porcelain socket with nickel plated brass screw shell. *UL Listed* component.

Formed "Alzak" upper reflector.

Heavy gauge electrogalvanized steel junction box, prewired and grounded with easy access from below. Listed for through branch circuit wiring. Thermal cutout provided.

Adjustable height electrogalvanized plated steel mounting ears with cutouts for various mounting methods. Standard bars (included) are innovative and incorporate rigid formed cross sections, joint positioning tabs, integral nails, auxiliary nailholes, T-Bar slots and holes for locking bars to T-Bar using #8 self-tapping screws (by others). Bars extend 14"-24". Ears will also accept Caddy Bar #520 for fast installation in T-Bar ceilings, bars extend 27".



Heavy gauge formed, flush aluminum door frame/lens holder. Self trimming white painted flange.

Electronic ballast factory standard. *UL Listed* component.

**Rough in Kit and Lens – 12" x 12" HID (ED17 Enclosed Rated\* Lamp).** \*Note: 'Enclosed Fixture Rated' lamp must be used.

Catalog Number **VSQ1212MHE**

	Wattage	Ballast	Voltage	Lens	Options
<b>VSQ1212MHE</b>	175W MAX. ED17 150W ED17 100W ED17 70W ED17 50W ED17	H P/R E	1 2 3 4	11 14 16 DOPL DHFRL	QR QS F GSK DGSK TMPR

## – Housing Depth 9 1/4"

HPS – Replace **VSQ1212MHE** with **VSQ1212HPSE**

Lens	
<b>11</b>	Tempered Clear Lens
<b>14</b>	Tempered Prismatic Lens
<b>16</b>	Fresnel Lens
<b>DOPL</b>	Drop Opal Polycarbonate Lens
<b>DHFRL</b>	Drop Holophane Fresnel Glass Lens

Voltage	
<b>1</b>	120 Volts
<b>2</b>	277 Volts
<b>3</b>	347 Volts
<b>4</b>	208 Volts

Options ▲	
<b>QR</b>	Quartz Restrike
<b>QS</b>	Quartz Socket
<b>F</b>	Fused
<b>DGSK</b>	Neoprene Foam Double Gasketing
<b>TMPR</b>	Tamper Resistant Hardware

## Features

Manufactured and Listed to UL 1598, ETL and CSA standards.  
Suitable for Damp Locations  
Wet location under covered ceiling



▲ See Options and Finishes pages for a list of additional finishes and equipment.

Vantage reserves the right to change components, finishes or design details in any manner which does not alter the installed appearance or reduce performance and intended function.

76 Community Avenue Plainfield, CT 06374  
voice (860)564.4512 fax (860)564.4854  
www.vantageitg.com

07/10



VANTAGE