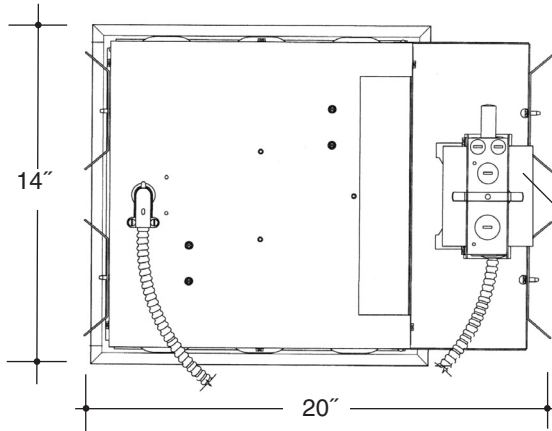


Architectural Squares

Job Name _____

Type _____



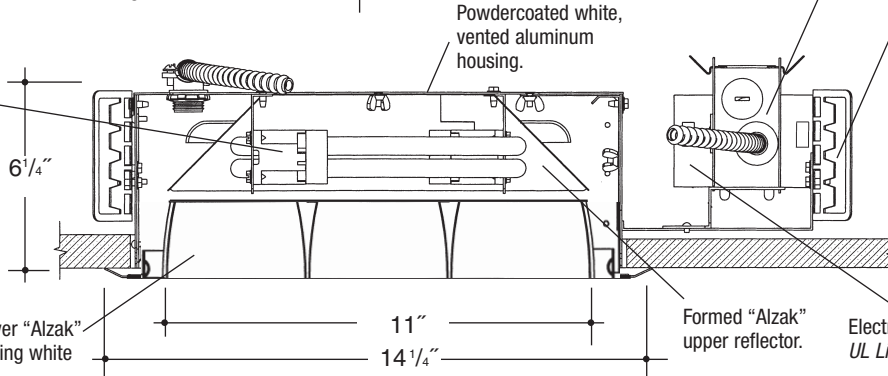
12" x 12" H.F. 3 LT LOUVERED SQUARE

Electronic ballasts, Class P, 50/60 HZ-120/277, Programmed Start, thermally protected, 98% Power Factor, 1.00 Ballast Factor, <10% THD, Class A sound rated. Minimum starting temperature -18°C/0°F. Magnetic ballasts, High Power Factor, thermally protected, minimum starting temperature 10°C/50°F. *UL Listed* component.

Heavy gauge electrogalvanized steel junction box, prewired and grounded with easy access from below. Listed for through branch circuit wiring.

Adjustable height electrogalvanized plated steel mounting ears with cutouts for various mounting methods. Standard bars (included) are innovative and incorporate rigid formed cross sections, joint positioning tabs, integral nails, auxiliary nailholes, T-Bar slots and holes for locking bars to T-Bar using #8 self-tapping screws (by others). Bars extend 14"-24". Ears will also accept Caddy Bar #520 for fast installation in T-Bar ceilings, bars extend 27".

Aluminum socket housing on a electrogalvanized steel frame. *UL Listed* socket and electrical connectors.



9 cell parabolic louver "Alzak" reflector. Self trimming white painted flange.

Formed "Alzak" upper reflector.

Electronic ballast factory standard. *UL Listed* component.

Rough in Kit and Louver – 12"x12" Horizontal Fluorescent (Compact Fluorescent Twin, Quad or Triple Tube)

Catalog Number **VSQ1212HF3**

VSQ1212HF3

Wattage

Ballast

Voltage

Louver

Finish

Options

57W MAX. DT••
42W PLT
32W PLT
26W DTT, PLT
18W DTT, PLT
13*W TT, DTT

E
H
DA
DL

1
2
3
4

4CP
9CP
25CP
CCL1/2
4CSB

SCL
SGO
WHT
ECL

EM
F
PF

••2-Lamp MAX. only for 57W DT

2-Lamp – Replace **VSQ1212HF3** with **VSQ1212HF2**

Electronic Multi-Tap Ballast 120V Thru 277V Factory Standard

Ballast

E Electronic (4 Pin Lamp)
H High Power Factor (2 Pin Lamp)
DA Dimming - Advance Mark X (4 Pin Lamp)
DL Dimming - Lutron (4 Pin Lamp)
***** 13 Watt Advance Mark VII Only

Finish (Factory Standard)

SCL Specular Clear "Alzak" with White Flange
SGO Specular Gold "Alzak" with White Flange
SGC Soft Glow Clear "Alzak" (Semi-Spec) with White Flange
ECL Etched Clear "Alzak" (Haze) with White Flange

Voltage

1 120 Volts
2 277 Volts
3 347 Volts (Electronic Ballast Only)
4 208 Volts (Electronic Ballast Only)

Options ▲

EM Emergency Battery
F Fused
PF High Polished Flange

Louver

4CP 4 Cell Parabolic
9CP 9 Cell Parabolic
25CP 25 Cell Parabolic
CCL1/2 1/2"x1/2" Cube Cell Louver
4CSB 4 Cell Straight Blade

Features

Manufactured and Listed to UL 1598, ETL and CSA standards.
Suitable for Damp Locations
Wet location under covered ceiling



▲ See Options and Finishes pages for a list of additional finishes and equipment.

Vantage reserves the right to change components, finishes or design details in any manner which does not alter the installed appearance or reduce performance and intended function.

Vantage



Luminaires

76 Community Avenue Plainfield, CT 06374
voice (860)564.4512 fax (860)564.4854
www.vantageitg.com

03/10