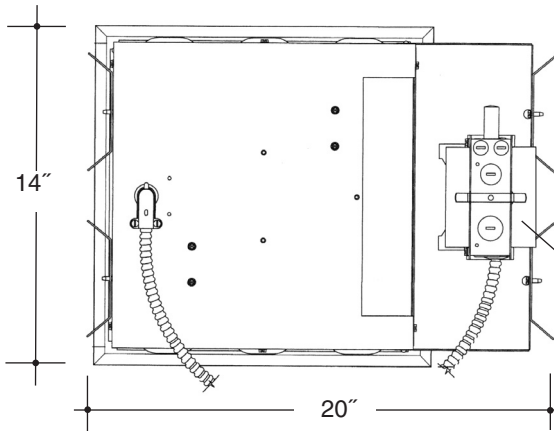


# Architectural Squares

Job Name \_\_\_\_\_

Type \_\_\_\_\_



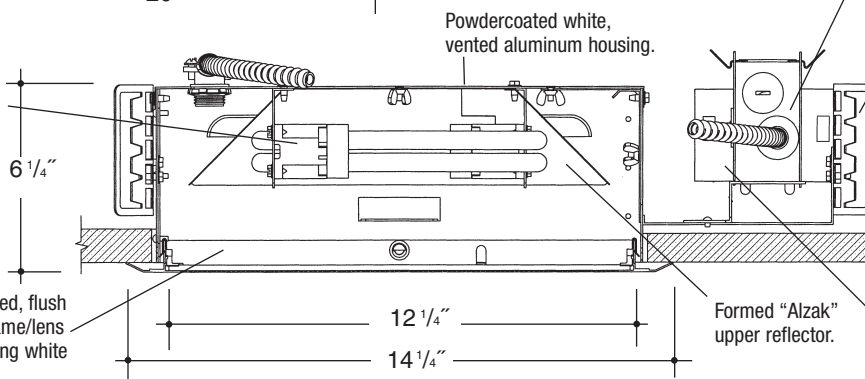
## 12" x 12" H.F. 3 LT LENSED SQUARE

Electronic ballasts, Class P, 50/60 HZ-120/277, Programmed Start, thermally protected, 98% Power Factor, 1.00 Ballast Factor, <10% THD, Class A sound rated. Minimum starting temperature -18°C/0°F. Magnetic ballasts, High Power Factor, thermally protected, minimum starting temperature 10°C/50°F. *UL Listed* component.

Heavy gauge electrogalvanized steel junction box, prewired and grounded with easy access from below. Listed for through branch circuit wiring.

Adjustable height electrogalvanized plated steel mounting ears with cutouts for various mounting methods. Standard bars (included) are innovative and incorporate rigid formed cross sections, joist positioning tabs, integral nails, auxiliary nailholes, T-Bar slots and holes for locking bars to T-Bar using #8 self-tapping screws (by others). Bars extend 14"-24". Ears will also accept Caddy Bar #520 for fast installation in T-Bar ceilings, bars extend 27".

Aluminum socket housing on a electrogalvanized steel frame. *UL Listed* socket and electrical connectors.



Heavy gauge formed, flush aluminum door frame/lens holder. Self trimming white painted flange.

Formed "Alzak" upper reflector.

Electronic ballast factory standard. *UL Listed* component.

### Rough in Kit and Lens – 12"x12" Horizontal Fluorescent (Compact Fluorescent Twin, Quad or Triple Tube)

Catalog Number **VSQ1212HF3**

**VSQ1212HF3**

	Wattage	Ballast	Voltage	Lens	Options
	57W MAX. DT••	E	1	11	EM
	42W PLT	H	2	14	F
	32W PLT	DA	3	16	TMPR
	26W DTT, PLT	DL	4	DOPL	DGSK
	18W DTT, PLT			DHFRL	
	13"W TT, DTT				

••2-Lamp MAX. only for 57W DT

2-Lamp – Replace **VSQ1212HF3** with **VSQ1212HF2**

1-Lamp – Replace **VSQ1212HF3** with **VSQ1212HF1**

Electronic Multi-Tap Ballast 120V Thru 277V Factory Standard

<b>Ballast</b>	<b>E</b> Electronic (4 Pin Lamp)	<b>1</b> 120 Volts
	<b>H</b> High Power Factor (2 Pin Lamp)	<b>2</b> 277 Volts
	<b>DA</b> Dimming - Advance Mark X (4 Pin Lamp)	<b>3</b> 347 Volts (Electronic Ballast Only)
	<b>DL</b> Dimming - Lutron (4 Pin Lamp)	<b>4</b> 208 Volts (Electronic Ballast Only)
	<b>*</b> 13 Watt Advance Mark VII Only	
<b>Lens</b>	<b>11</b> Tempered Clear Lens	<b>EM</b> Emergency Battery
	<b>14</b> Tempered Prismatic Lens	<b>F</b> Fused
	<b>16</b> Fresnel Lens	<b>TMPR</b> Tamper Resistant Hardware
	<b>DOPL</b> Drop Opal Polycarbonate Lens	<b>DGSK</b> Neoprene Foam Double Gasketing
	<b>DHFRL</b> Drop Holophane Fresnel Glass Lens	

### Features

Manufactured and Listed to UL 1598, ETL and CSA standards. Suitable for Damp Locations Wet location under covered ceiling



▲ See Options and Finishes pages for a list of additional finishes and equipment.

Vantage reserves the right to change components, finishes or design details in any manner which does not alter the installed appearance or reduce performance and intended function.

Vantage



76 Community Avenue Plainfield, CT 06374

voice (860)564.4512 fax (860)564.4854

www.vantageitg.com

03/10

Luminaires