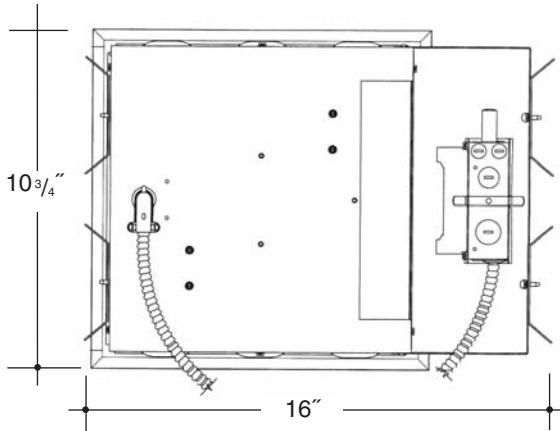


Architectural Squares

Job Name _____

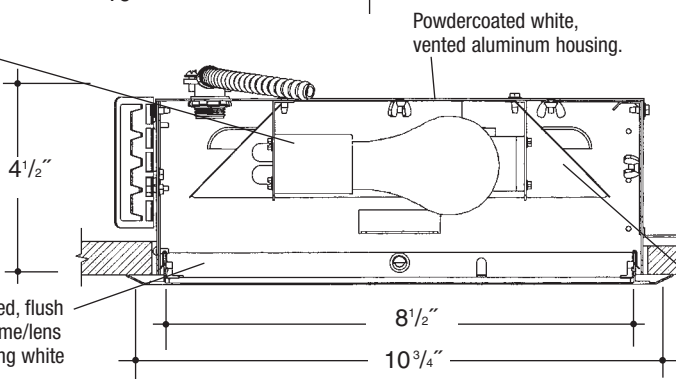
Type _____



8" x 8"
LENSED SQUARE
INCANDESCENT

Heavy gauge electrogalvanized steel junction box, prewired and grounded with easy access from below. Listed for through branch circuit wiring. Thermal cutout provided.

Medium base porcelain socket with nickel plated brass screw shell. *UL Listed* component.



Adjustable height electrogalvanized plated steel mounting ears with cutouts for various mounting methods. Standard bars (included) are innovative and incorporate rigid formed cross sections, joist positioning tabs, integral nails, auxiliary nailholes, T-Bar slots and holes for locking bars to T-Bar using #8 self-tapping screws by others). Bars extend 14"-24". Ears will also accept Caddy Bar #520 for fast installation in T-Bar ceilings, bars extend 27".

Rough in Kit and Lens – 8"x8" Horizontal Incandescent (200W A23; 150W A21; 100W A19)

Catalog Number **VSQ88INC**

VSQ88INC

Wattage

Voltage

Lens

Options

150W MAX. A21
100W A19

1

11
14
16

277VSD
TMPR
GSK
DGSK

Lens

- 11** Tempered Clear Lens
- 14** Tempered Prismatic Lens
- 16** Fresnel Lens

Voltage

- 1 120 Volts

Options ▲

- 277VSD** Step Down Transformer 277V to 120V
- TMPR** Tamper Resistant Hardware
- GSK** Neoprene Foam Single Gasketing
- DGSK** Neoprene Foam Double Gasketing

Features

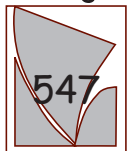
Manufactured and Listed to UL 1598, ETL and CSA standards.
Suitable for Damp Locations
Wet location under covered ceiling



▲ See Options and Finishes pages for a list of additional finishes and equipment.

Vantage reserves the right to change components, finishes or design details in any manner which does not alter the installed appearance or reduce performance and intended function.

Vantage



Luminaires

76 Community Avenue Plainfield, CT 06374
voice (860)564.4512 fax (860)564.4854
www.vantageltg.com

01/10