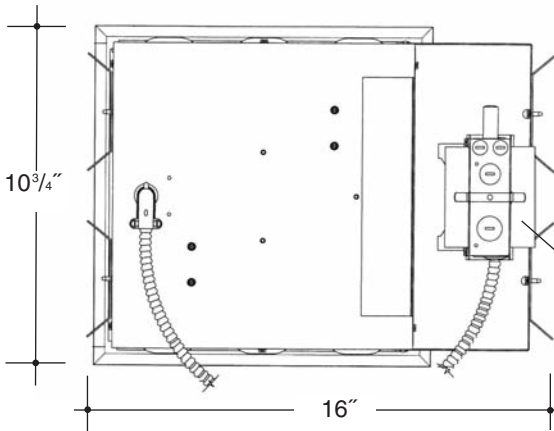


Architectural Squares

Job Name _____

Type _____



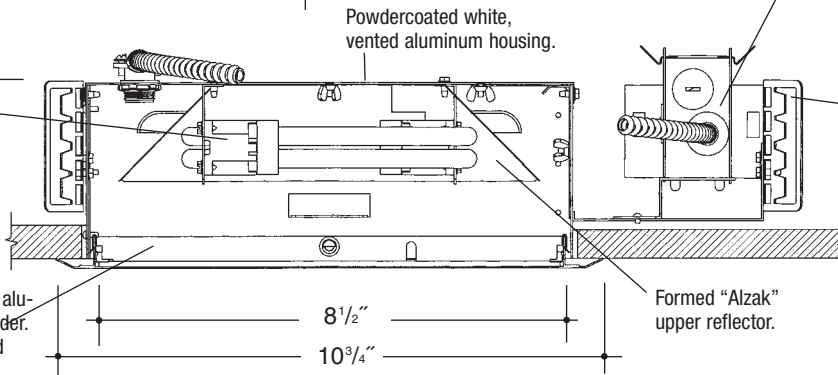
8" x 8" H.F. 2 LT LENSED SQUARE

Electronic ballasts, Class P, 50/60 HZ-120/277, Programmed Start, thermally protected, 98% Power Factor, 1.00 Ballast Factor, <10% THD, Class A sound rated. Minimum starting temperature -18°C/0°F. Magnetic ballasts, High Power Factor, thermally protected, minimum starting temperature 10°C/50°F. *UL Listed* component.

Heavy gauge electrogalvanized steel junction box, prewired and grounded with easy access from below. Listed for through branch circuit wiring.

Adjustable height electrogalvanized plated steel mounting ears with cutouts for various mounting methods. Standard bars (included) are innovative and incorporate rigid formed cross sections, joint positioning tabs, integral nails, auxiliary nailholes, T-Bar slots and holes for locking bars to T-Bar using #8 self-tapping screws (by others). Bars extend 14"-24". Ears will also accept Caddy Bar #520 for fast installation in T-Bar ceilings, bars extend 27".

Aluminum socket housing on a electrogalvanized steel frame. *UL Listed* socket and electrical connectors.



Powdercoated white, vented aluminum housing.

Heavy gauge formed, flush aluminum door frame/lens holder. Self trimming white painted flange.

Formed "Alzak" upper reflector.

Rough in Kit and Lens – 8"x8" Horizontal Fluorescent (Compact Fluorescent Twin, Quad or Triple Tube)

Catalog Number **VSQ88HF2**

VSQ88HF2

Wattage	Ballast	Voltage	Lens	Options
42W MAX. PLT	E	1	11	EM
32W PLT	H	2	14	F
26W DTT, PLT	DA	3	16	TMP
18W DTT, PLT	DL	4		TMR
13"W TT, DTT				GSK
				DGSK

1-Lamp – Replace VSQ88HF2 with VSQ88HF1

Electronic Multi-Tap Ballast 120V Thru 277V Factory Standard

Ballast	E Electronic (4 Pin Lamp)	1 120 Volts
H High Power Factor (2 Pin Lamp)	2 277 Volts	
DA Dimming - Advance Mark X (4 Pin Lamp)	3 347 Volts (Electronic Ballast Only)	
DL Dimming - Lutron (4 Pin Lamp)	4 208 Volts (Electronic Ballast Only)	
* 13 Watt Advance Mark VII Only		
Lens		Options ▲
11 Tempered Clear Lens		EM Emergency Battery
14 Tempered Prismatic Lens		F Fused
16 Fresnel Lens		TMP Tamper Proof Hardware
		TMR Tamper Resistant Hardware
		GSK Neoprene Foam Single Gasketing
		DGSK Neoprene Foam Double Gasketing

Features

Manufactured and Listed to UL 1598, ETL and CSA standards. Suitable for Damp Locations Wet location under covered ceiling



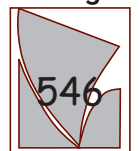
▲ See Options and Finishes pages for a list of additional finishes and equipment.

Vantage reserves the right to change components, finishes or design details in any manner which does not alter the installed appearance or reduce performance and intended function.

76 Community Avenue Plainfield, CT 06374
voice (860)564.4512 fax (860)564.4854
www.vantageitg.com

01/10

Vantage



Luminaires