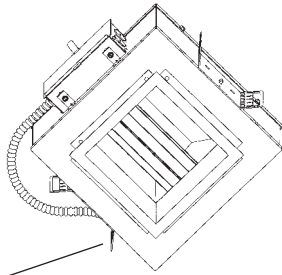


# Architectural Squares

Job Name \_\_\_\_\_

Type \_\_\_\_\_

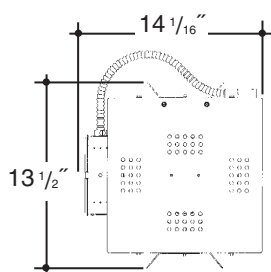


**8"x8"  
H.F. 2 LT  
OPEN  
SQUARE**

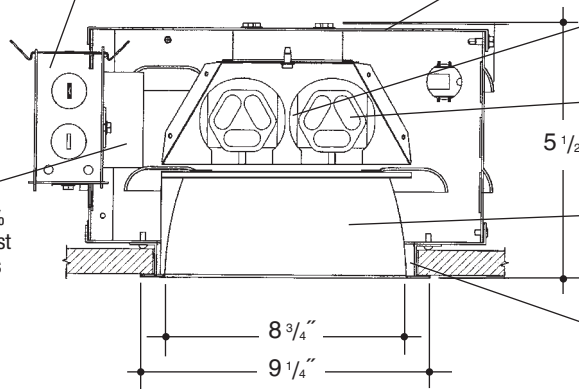
Adjustable height electrogalvanized plated steel mounting ears with cutouts for various mounting methods. Standard bars (included) are innovative and incorporate rigid formed cross sections, joist positioning tabs, integral nails, auxiliary nailholes, T-Bar slots and holes for locking bars to T-Bar using #8 self-tapping screws (by others). Bars extend 14"-24". Ears will also accept Caddy Bar #520 for fast installation in T-Bar ceilings, bars extend 27".

Heavy gauge electrogalvanized steel junction box, prewired and grounded with easy access from below. Listed for through branch circuit wiring.

Housing is formed of heavy gauge electrogalvanized steel with integral venting for cool operation and extended lamp life.



Electronic ballast, Class P, 50/60 HZ-120/277, Programmed Start, thermally protected, 98% Power Factor, 1.00 Ballast Factor, <10% THD, Class A sound rated. Minimum starting temperature -18°C/0°F. *UL Listed* component.



Aluminum socket housing with quick assembly hardware. *UL Listed* socket and electrical connectors.

Precision formed aluminum specular clear low iridescent "Alzak" upper reflector.

Square "Alzak" aperture trim, die formed, mitred corners, self trimming flange and positive spring retention clips.

Integral 3/4" plaster frame.

## Rough In Kit – 8"x8" Square Horizontal Fluorescent 2-Lamp (Compact Fluorescent Triple or Quad Tube)

Catalog Number **VGS88HF2**

**VGS88HF2**

Wattage

Ballast

Voltage

Options

57W MAX. DT/E●●  
42W PLT  
32W PLT  
26W DTT, PLT  
18W DTT, PLT

E  
DA  
DL

1  
2  
3  
4

EM\*  
EMI

Ballast

E

DA

DL

Voltage

1

2

3

4

Options ▲

EM\*

Electronic (4 Pin Lamp)  
Dimming - Advance Mark X (4 Pin Lamp)  
Dimming - Lutron (4 Pin Lamp)

120 Volts  
277 Volts  
347 Volts (Electronic Ballast Only)  
208 Volts

Emergency Battery  
\*(TOP COVER REMOVABLE FROM BELOW FOR EM ACCESS)  
Internal Mounted Emergency Test Switch

●●1-Lamp only for 57W DT

Electronic Multi-Tap Ballast 120/277V Factory Standard

## Finishing Kit – 8"x8" Square Horizontal Open Reflector

Catalog Number **VGS8800**

**VGS8800**

Finish

Options

SCL  
SGO  
SGC  
ECL  
WHT

PF

Finish (Factory Standard)

**SCL** Specular Clear "Alzak" with White Flange  
**SGO** Specular Gold "Alzak" with White Flange  
**SGC** Soft Glow Clear "Alzak" (Semi-Spec) with White Flange  
**ECL** Etched Clear "Alzak" (Haze) with White Flange  
**WHT** White with White Flange

Options ▲

**PF** High Polished Flange

### Features

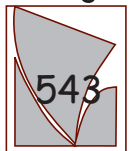
Manufactured and Listed to UL 1598, ETL and CSA standards.  
Suitable for Damp Locations  
Wet location under covered ceiling



▲ See Options and Finishes pages for a list of additional finishes and equipment.

Vantage reserves the right to change components, finishes or design details in any manner which does not alter the installed appearance or reduce performance and intended function.

Vantage



Luminaires

76 Community Avenue Plainfield, CT 06374  
voice (860)564.4512 fax (860)564.4854  
www.vantageeltg.com

01/10