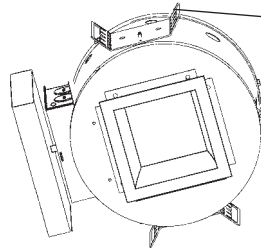


Architectural Squares

Job Name _____

Type _____

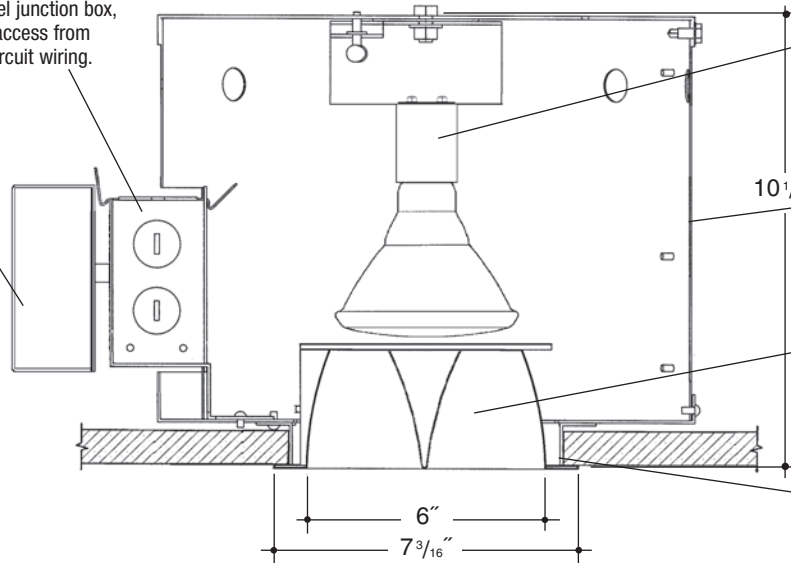
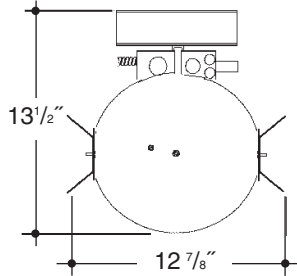


Adjustable height electrogalvanized plated steel mounting ears with cutouts for various mounting methods. Standard bars (included) are innovative and incorporate rigid formed cross sections, joist positioning tabs, integral nails, auxiliary nailholes, T-Bar slots and holes for locking bars to T-Bar using #8 self-tapping screws (by others). Bars extend 14"-24". Ears will also accept Caddy Bar #520 for fast installation in T-Bar ceilings, bars extend 27".

6" x 6"
PAR38 M.H.
CROSS BAFFLE
SQUARE

Heavy gauge electrogalvanized steel junction box, prewired and grounded with easy access from below. Listed for through branch circuit wiring. *UL Listed.* Thermal cutout provided.

Electronic ballast, Class P, 50/60 HZ-120/277, thermally protected, >90% Power Factor, 1.0 Ballast Factor, <15% THD. Class A sound rated. Minimum starting temperature -30°C/-20°F. *UL Listed* component.



UL Listed "open rated", pulse rated 4K, medium base porcelain socket, with nickel plated brass screw shell.

10 1/2" Steel housing wrap with interlocking seams for strength. Housing is top relampable with screwdriver. Housing cap is aluminum for heat transfer to ensure maximum lamp life.

Rectangular "Alzak" cross baffle aperture trim, die formed, mitred corners, self trimming flange and positive spring retention clips.

Integral 3/4" plaster frame.

Rough In Kit – 6" x 6" Metal Halide (PAR38; PAR30; PAR20 Open Rated* Lamps) *Note: 'Open Fixture Rated' lamp must be used.

Catalog Number **VGS66-MHO-PAR**

VGS66-MHO-PAR

Wattage

Ballast

Voltage

Options

100W MAX. PAR38
70W PAR38, PAR30
50W PAR30
35/39W PAR30, PAR20

E

1
2
4

Ballast
E Electronic
Voltage
1 120 Volts
2 277 Volts
4 208 Volts
Options ▲

Must Specify Lamping

Finishing Kit – 6" x 6" Square Open Cross Baffle Reflector

Catalog Number **VGS6635**

VGS6635

Finish

Options

SCL
SGO
SGC
ECL

PF

Finish (Factory Standard)

SCL Specular Clear "Alzak" with White Flange
SGO Specular Gold "Alzak" with White Flange
SGC Soft Glow Clear "Alzak" (Semi-Spec) with White Flange
ECL Etched Clear "Alzak" (Haze) with White Flange

Options ▲

PF High Polished Flange

Features

Manufactured and Listed to UL 1598, ETL and CSA standards. Suitable for Damp Locations Wet location under covered ceiling



▲ See Options and Finishes pages for a list of additional finishes and equipment.

Vantage reserves the right to change components, finishes or design details in any manner which does not alter the installed appearance or reduce performance and intended function.

Vantage



Luminaires

76 Community Avenue Plainfield, CT 06374
voice (860)564.4512 fax (860)564.4854
www.vantageitg.com

01/10