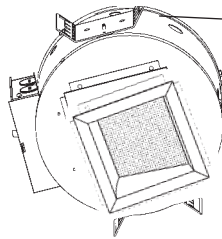


A r c h i t e c t u r a l S q u a r e s

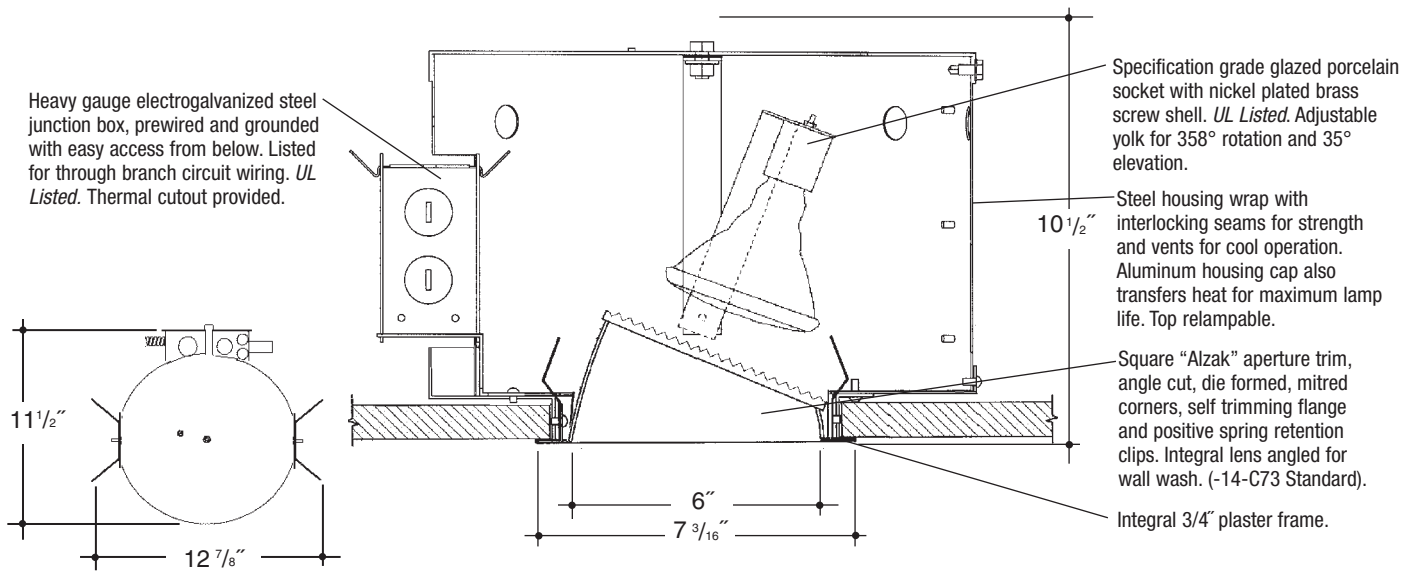
Job Name _____

Type _____



Adjustable height electrogalvanized plated steel mounting ears with cutouts for various mounting methods. Standard bars (included) are innovative and incorporate rigid formed cross sections, joint positioning tabs, integral nails, auxiliary nailholes, T-Bar slots and holes for locking bars to T-Bar using #8 self-tapping screws (by others). Bars extend 14"-24". Ears will also accept Caddy Bar #520 for fast installation in T-Bar ceilings, bars extend 27".

6"x6" PAR38 LENSED WALL WASH SQUARE



Heavy gauge electrogalvanized steel junction box, prewired and grounded with easy access from below. Listed for through branch circuit wiring. *UL Listed.* Thermal cutout provided.

Specification grade glazed porcelain socket with nickel plated brass screw shell. *UL Listed.* Adjustable yolk for 358° rotation and 35° elevation.

Steel housing wrap with interlocking seams for strength and vents for cool operation. Aluminum housing cap also transfers heat for maximum lamp life. Top relampable.

Square "Alzak" aperture trim, angle cut, die formed, mitred corners, self trimming flange and positive spring retention clips. Integral lens angled for wall wash. (-14-C73 Standard).

Integral 3/4" plaster frame.

Rough In Kit – 6"x6" Square Incandescent Spread Lens Wall Wash (150W PAR38; 120W PAR38; 100W PAR38; 90W PAR38; 75W PAR38)

Catalog Number **VGS66INC-ADJ-PAR**

VGS66INC-ADJ-PAR	Wattage	Voltage	Options	Voltage 1 Options ▲	120 Volts
	150W MAX. PAR38 120W PAR38 100W PAR38 90W PAR38 75W PAR38	1			

Finishing Kit – 6"x6" Square Angle Cut Spread Lens Wall Wash Reflector

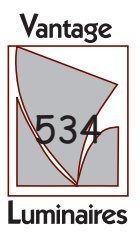
Catalog Number **VGS6637**

VGS6637	Lens	Finish	Options	Finish (Factory Standard)
	-14 C73 (Standard) -FRO FROSTED	SCL SGO SGC ECL	PF	SCL Specular Clear "Alzak" with White Flange SGO Specular Gold "Alzak" with White Flange SGC Soft Glow Clear "Alzak" (Semi-Spec) with White Flange ECL Etched Clear "Alzak" (Haze) with White Flange
			Options ▲	PF High Polished Flange

Features
Manufactured and Listed to UL 1598, ETL and CSA standards.
Suitable for Damp Locations
Wet location under covered ceiling



▲ See Options and Finishes pages for a list of additional finishes and equipment.
Vantage reserves the right to change components, finishes or design details in any manner which does not alter the installed appearance or reduce performance and intended function.



76 Community Avenue Plainfield, CT 06374
voice (860)564.4512 fax (860)564.4854
www.vantageltg.com

01/10