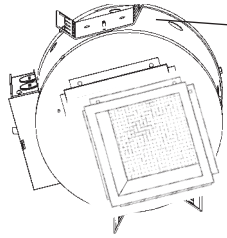


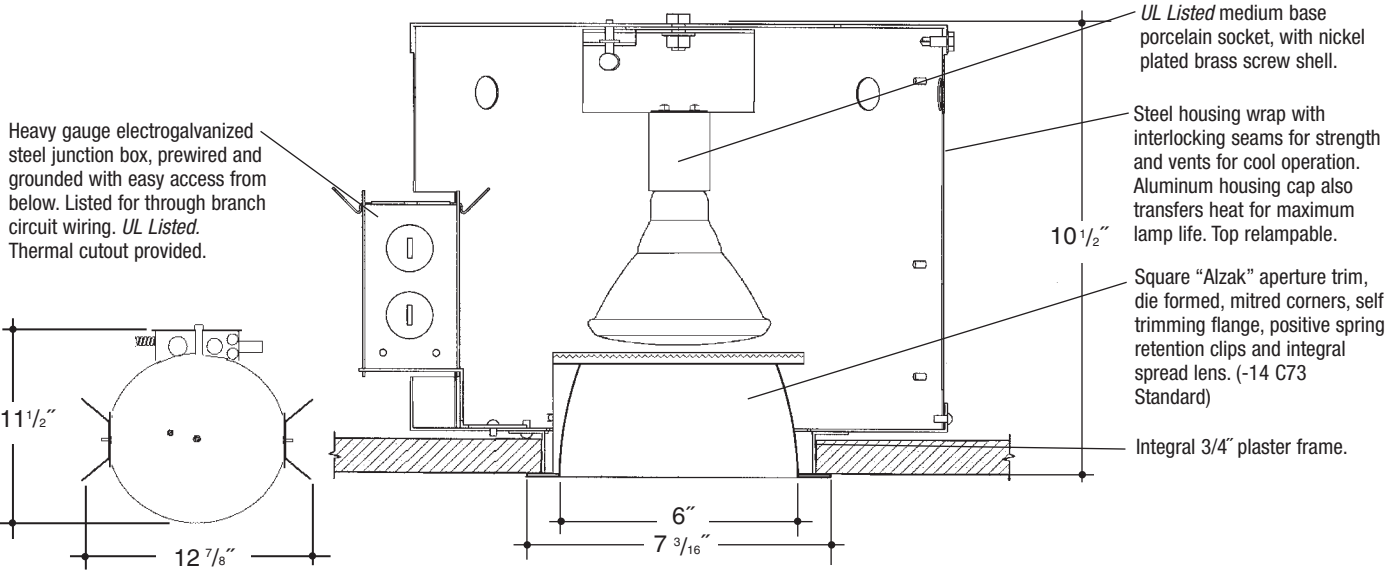
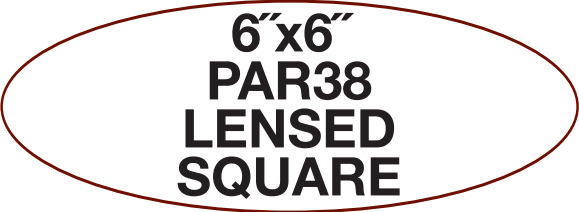
# A r c h i t e c t u r a l   S q u a r e s

Job Name \_\_\_\_\_

Type \_\_\_\_\_



Adjustable height electrogalvanized plated steel mounting ears with cutouts for various mounting methods. Standard bars (included) are innovative and incorporate rigid formed cross sections, joist positioning tabs, integral nails, auxiliary nailholes, T-Bar slots and holes for locking bars to T-Bar using #8 self-tapping screws (by others). Bars extend 14"-24". Ears will also accept Caddy Bar #520 for fast installation in T-Bar ceilings, bars extend 27".



## Rough In Kit – 6"x6" Square Incandescent (150W PAR38; 120W PAR38; 100W PAR38; 90W PAR38; 75W PAR38)

Catalog Number **VGS66-INC-PAR38**

VGS66-INC-PAR38	Wattage	Voltage	Options	Voltage	Options ▲
	150W MAX. PAR38 120W PAR38 100W PAR38 90W PAR38 75W PAR38	1		120 Volts	

## Finishing Kit – 6"x6" Square Lensed Reflector

Catalog Number **VGS66-**

VGS66-	Lens	Finish	Options	Finish (Factory Standard)
	-14 C73 (Standard) -FRO FROSTED	SCL SGO SGC ECL	PF	<b>SCL</b> Specular Clear "Alzak" with White Flange <b>SGO</b> Specular Gold "Alzak" with White Flange <b>SGC</b> Soft Glow Clear "Alzak" (Semi-Spec) with White Flange <b>ECL</b> Etched Clear "Alzak" (Haze) with White Flange
				Options ▲ <b>PF</b> High Polished Flange

**Features**  
 Manufactured and Listed to UL 1598, ETL and CSA standards.  
 Suitable for Damp Locations  
 Wet location under covered ceiling



▲ See Options and Finishes pages for a list of additional finishes and equipment.  
 Vantage reserves the right to change components, finishes or design details in any manner which does not alter the installed appearance or reduce performance and intended function.

76 Community Avenue Plainfield, CT 06374  
 voice (860)564.4512 fax (860)564.4854  
 www.vantageltg.com

01/10

