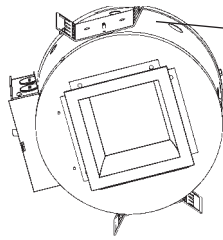


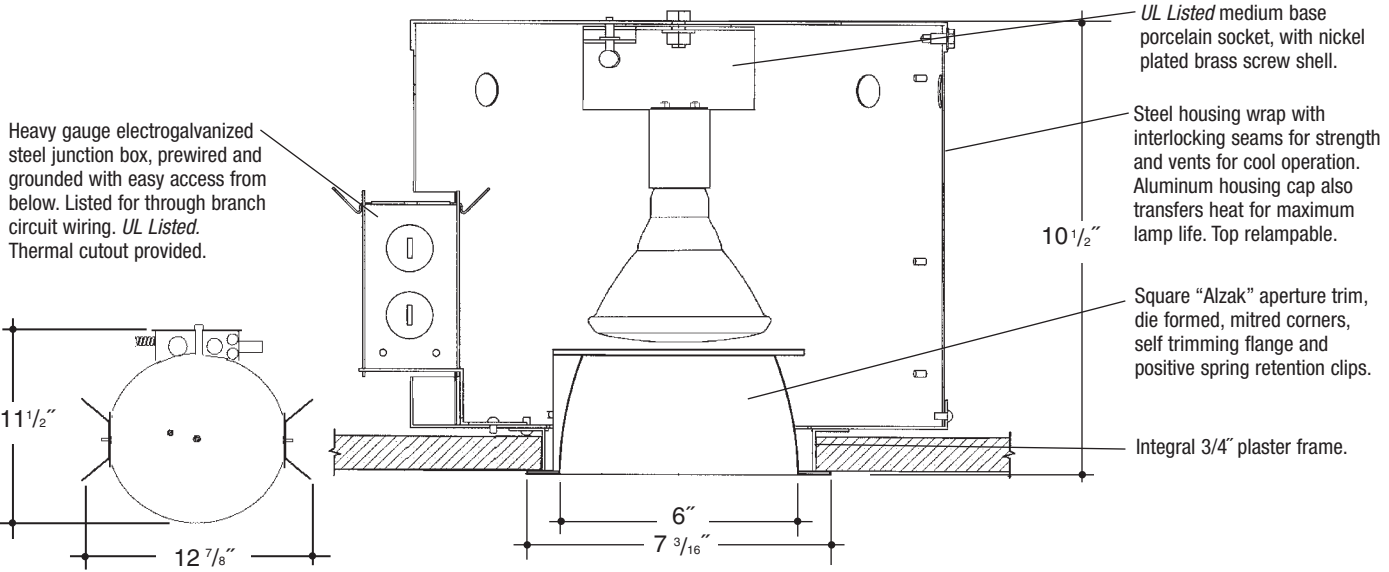
A r c h i t e c t u r a l S q u a r e s

Job Name _____

Type _____



Adjustable height electrogalvanized plated steel mounting ears with cutouts for various mounting methods. Standard bars (included) are innovative and incorporate rigid formed cross sections, joist positioning tabs, integral nails, auxiliary nailholes, T-Bar slots and holes for locking bars to T-Bar using #8 self-tapping screws (by others). Bars extend 14"-24". Ears will also accept Caddy Bar #520 for fast installation in T-Bar ceilings, bars extend 27".



Rough In Kit – 6"x6" Square Incandescent (150W PAR38; 120W PAR38; 100W PAR38; 90W PAR38; 75W PAR38)

Catalog Number **VGS66-INC-PAR38**

VGS66-INC-PAR38	Wattage	Voltage	Options	Voltage 1 Options ▲ 120 Volts
	150W MAX. PAR38 120W PAR38 100W PAR38 90W PAR38 75W PAR38	1		

Finishing Kit – 6"x6" Square Open Reflector

Catalog Number **VGS6600**

VGS6600	Finish	Options	Finish (Factory Standard) SCL Specular Clear "Alzak" with White Flange SGO Specular Gold "Alzak" with White Flange SGC Soft Glow Clear "Alzak" (Semi-Spec) with White Flange ECL Etched Clear "Alzak" (Haze) with White Flange WHT White with White Flange Options ▲ PF High Polished Flange
	SCL SGO SGC ECL WHT	PF	

Features
 Manufactured and Listed to UL 1598, ETL and CSA standards.
 Suitable for Damp Locations
 Wet location under covered ceiling



▲ See Options and Finishes pages for a list of additional finishes and equipment.
 Vantage reserves the right to change components, finishes or design details in any manner which does not alter the installed appearance or reduce performance and intended function.

76 Community Avenue Plainfield, CT 06374
 voice (860)564.4512 fax (860)564.4854
 www.vantageltg.com

01/10

