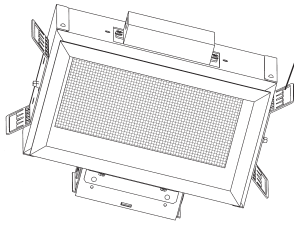


# Architectural Squares

Job Name \_\_\_\_\_

Type \_\_\_\_\_

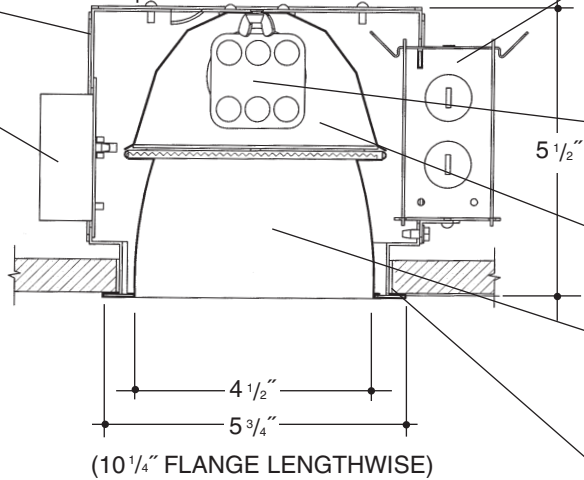


Adjustable height electrogalvanized plated steel mounting ears with cutouts for various mounting methods. Standard bars (included) are innovative and incorporate rigid formed cross sections, joist positioning tabs, integral nails, auxiliary nailholes, T-Bar slots and holes for locking bars to T-Bar using #8 self-tapping screws (by others). Bars extend 14"-24". Ears will also accept Caddy Bar #520 for fast installation in T-Bar ceilings, bars extend 27".



Housing is formed of heavy gauge electrogalvanized steel with integral venting for cool operation and extended lamp life.

Electronic ballast, Class P, 50/60 HZ-120/277, Programmed Start, thermally protected, 98% Power Factor, 1.00 Ballast Factor, <10% THD, Class A sound rated. Minimum starting temperature -18°C/0°F. *UL Listed* component.



Heavy gauge electrogalvanized steel junction box, prewired and grounded with easy access from below. Listed for through branch circuit wiring.

Aluminum socket housing with quick assembly hardware. *UL Listed* socket and electrical connectors.

Precision formed aluminum specular clear low iridescent "Alzak" upper reflector.

Rectangular "Alzak" aperture trim, die formed, mitred corners, self trimming flange, positive spring retention clips and integral spread lens. (-14 C73 Standard)

Integral 3/4" plaster frame.

## Rough In Kit – 4.5"x9.5" Rectangle Horizontal Fluorescent 1-Lamp (Compact Fluorescent Triple or Quad Tube)

Catalog Number **VGS49HF1**

**VGS49HF1**

Wattage

Ballast

Voltage

Options

57W MAX. DT/E  
42W PLT  
32W PLT  
26W DTT, PLT  
18W DTT, PLT

E  
DA  
DL

1  
2  
3  
4

EM\*

Ballast

**E** Electronic (4 Pin Lamp)  
**DA** Dimming - Advance Mark X (4 Pin Lamp)  
**DL** Dimming - Lutron Ecosystem (4 Pin Lamp)

Voltage

**1** 120 Volts  
**2** 277 Volts  
**3** 347 Volts (Electronic Ballast Only)  
**4** 208 Volts

Options ▲

**EM\*** Emergency Battery

**\*(TOP COVER REMOVABLE FROM BELOW FOR EM ACCESS)**

Electronic Multi-Tap Ballast 120/277V Factory Standard

## Finishing Kit – 4.5"x9.5" Rectangle Horizontal Lensed Reflector

Catalog Number **VGS49-**

**VGS49-**

Lens

Finish

Options

-14 C73 (Standard)  
-FRO FROSTED

SCL  
SGO  
SGC  
ECL

PF

Finish (Factory Standard)

**SCL** Specular Clear "Alzak" with White Flange  
**SGO** Specular Gold "Alzak" with White Flange  
**SGC** Soft Glow Clear "Alzak" (Semi-Spec) with White Flange  
**ECL** Etched Clear "Alzak" (Haze) with White Flange

Options ▲

**PF** High Polished Flange

### Features

Manufactured and Listed to UL 1598, ETL and CSA standards.  
Suitable for Damp Locations  
Wet location under covered ceiling



▲ See Options and Finishes pages for a list of additional finishes and equipment.

Vantage reserves the right to change components, finishes or design details in any manner which does not alter the installed appearance or reduce performance and intended function.

76 Community Avenue Plainfield, CT 06374  
voice (860)564.4512 fax (860)564.4854  
www.vantageitg.com

01/10



VANTAGE

# Photometric Information

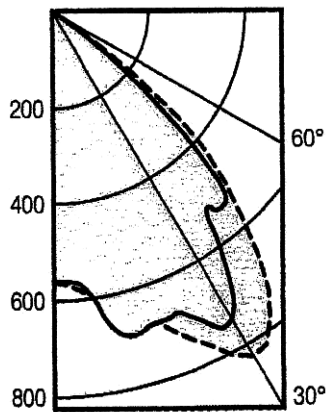
**Product Number:** VGS44HF126E1/2/4414SCL  
**Cylinder:** 4"x4", Horizontal Mount Fluorescent  
**Reflector:** 4" Horizontal Clear "Alzak" Reflector with Prismatic glass lens and specular clear "Alzak" splay  
**LTL Test Number:** 1624FR  
**Lamp(s) Source:** (1) 26W DTT 4pin lamp rated at 1800 lumens  
**Total Luminaire Efficiency:** 43.4%  
**Luminaire Spacing Criterion:** 1.2 x 1.1

**Product Number:** VGS44HF132E1/2/4414SCL  
**Cylinder:** 4"x4", Horizontal Mount Fluorescent  
**Reflector:** 4" Horizontal Clear "Alzak" Reflector with Prismatic glass lens and specular clear "Alzak" splay  
**LTL Test Number:** 1617FR  
**Lamp(s) Source:** (1) 32W DTT 4pin lamp rated at 2400 lumens  
**Total Luminaire Efficiency:** 62.2%  
**Luminaire Spacing Criterion:** 1.3 x 1.1

## Multiple Unit Data - RCR 1

Spacing On Center	Initial Footcandles	Watts/Sq Foot
5'	34	1.12
6'	24	0.78
8'	13	0.44
10'	8	0.28
12'	6	0.19

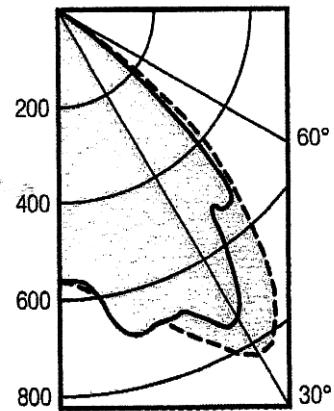
75'x75'x10' Room, Workplane 2 1/2' above floor, 80/50/20% Reflectances



## Multiple Unit Data - RCR 1

Spacing On Center	Initial Footcandles	Watts/Sq Foot
5'	65	1.44
6'	49	1.08
8'	26	0.58
10'	14	0.31
12'	11	0.23

75'x75'x10' Room, Workplane 2 1/2' above floor, 80/50/20% Reflectances



VANTAGE

06/09

76 Community Avenue Plainfield, CT 06374 voice (860)564.4512 fax (860)564.4854 www.vantageitg.com

# Photometric Information

**Product Number:** VGS44HF126E1/2/4414SCL

**Cylinder:** 4"x4", Horizontal Mount Fluorescent

**Reflector:** 4" Horizontal Clear "Alzak" Reflector with Prismatic glass lens and specular clear "Alzak" splay

**LTL Test Number:** 1610FR

**Lamp(s) Source:** (1) 42W DTT 4pin lamp rated at 3200 lumens

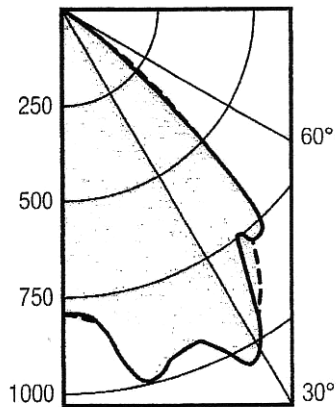
**Total Luminaire Efficiency:** 61.1%

**Luminaire Spacing Criterion:** 1.2 x 1.1

## Multiple Unit Data - RCR 1

Spacing On Center	Initial Footcandles	Watts/ Sq Foot
5'	85	1.96
6'	64	1.47
8'	34	0.78
10'	19	0.43
12'	14	0.31

75'x75'x10' Room, Workplane 2 1/2' above floor,  
80/50/20% Reflectances



VANTAGE