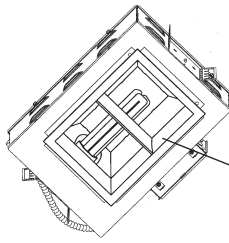
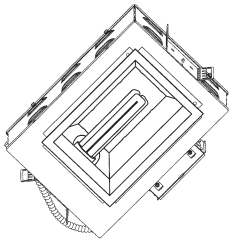


Architectural Squares

Job Name _____

Type _____



Optional Cross Baffle. (S35)

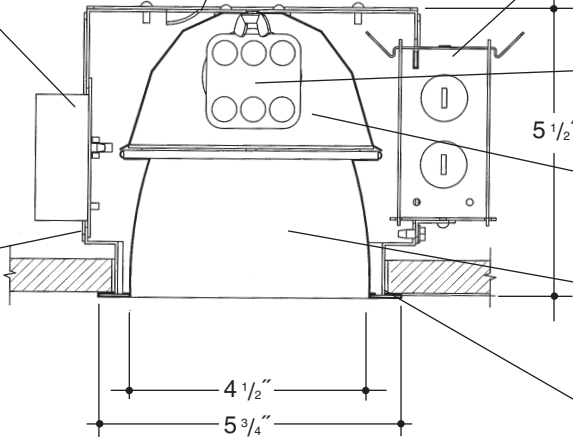
4"x9"
H.F. 1 LT
OPEN
RECTANGLE

Electronic ballast, Class P, 50/60 HZ-120/277, Programmed Start, thermally protected, 98% Power Factor, 1.00 Ballast Factor, <10% THD, Class A sound rated. Minimum starting temperature -18°C/0°F. *UL Listed* component.

Housing is formed of heavy gauge electrogalvanized steel with integral venting for cool operation and extended lamp life.

Heavy gauge electrogalvanized steel junction box, prewired and grounded with easy access from below. Listed for through branch circuit wiring.

Adjustable height electrogalvanized plated steel mounting ears with cutouts for various mounting methods. Standard bars (included) are innovative and incorporate rigid formed cross sections, joist positioning tabs, integral nails, auxiliary nailholes, T-Bar slots and holes for locking bars to T-Bar using #8 self-tapping screws (by others). Bars extend 14"-24". Ears will also accept Caddy Bar #520 for fast installation in T-Bar ceilings, bars extend 27".



Aluminum socket housing with quick assembly hardware. *UL Listed* socket and electrical connectors.

Precision formed aluminum specular clear low iridescent "Alzak" upper reflector.

Rectangular "Alzak" aperture trim, die formed, mitred corners, self trimming flange and positive spring retention clips. Optional Cross Baffle. (S35)

Integral 3/4" plaster frame.

(10 1/4" FLANGE LENGTHWISE)

Rough In Kit – 4.5"x9.5" Rectangle Horizontal Fluorescent 1-Lamp (Compact Fluorescent Triple or Quad Tube)

Catalog Number **VGS49HF1**

VGS49HF1	Wattage	Ballast	Voltage	Options
	57W MAX. DT/E	E	1	EM*
	42W PLT	DA	2	EMI
	32W PLT	DL	3	
	26W DTT, PLT		4	
	18W DTT, PLT			

Ballast		
E	Electronic	(4 Pin Lamp)
DA	Dimming - Advance Mark X	(4 Pin Lamp)
DL	Dimming - Lutron Ecosystem	(4 Pin Lamp)
Voltage		
1	120 Volts	
2	277 Volts	
3	347 Volts (Electronic Ballast Only)	
4	208 Volts	
Options ▲		
EM*	Emergency Battery	*(TOP COVER REMOVABLE FROM BELOW FOR EM ACCESS)
EMI	Internal Mounted Emergency Test Switch	

Electronic Multi-Tap Ballast 120/277V Factory Standard

Finishing Kit – 4.5"x9.5" Rectangle Horizontal Open Reflector

Catalog Number **VGS4900**

VGS4900	Finish	Options
	SCL	PF
	SGO	S35*
	SGC	
	ECL	
	WHT	

Finish (Factory Standard)

SCL	Specular Clear "Alzak" with White Flange
SGO	Specular Gold "Alzak" with White Flange
SGC	Soft Glow Clear "Alzak" (Semi-Spec) with White Flange
ECL	Etched Clear "Alzak" (Haze) with White Flange
WHT	White with White Flange

Options▲

PF	High Polished Flange
S35*	Parabolic Cross Baffle
* EMI Not Available with Parabolic Cross Baffle	

Features

Manufactured and Listed to UL 1598, ETL and CSA standards.
Suitable for Damp Locations
Wet location under covered ceiling



▲ See Options and Finishes pages for a list of additional finishes and equipment.

Vantage reserves the right to change components, finishes or design details in any manner which does not alter the installed appearance or reduce performance and intended function.

76 Community Avenue Plainfield, CT 06374
voice (860)564.4512 fax (860)564.4854
www.vantageitg.com

01/10



VANTAGE