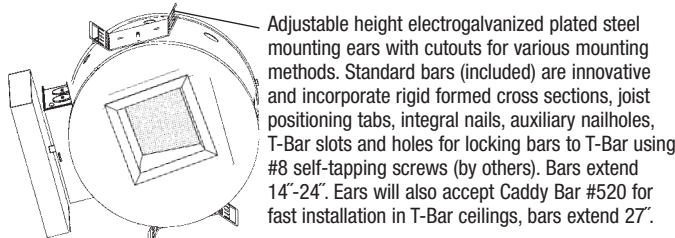


# Architectural Squares

Job Name \_\_\_\_\_

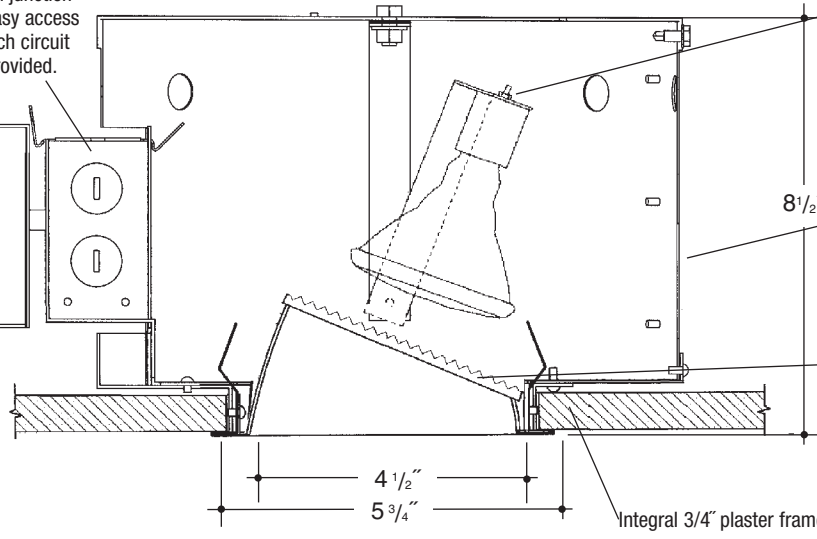
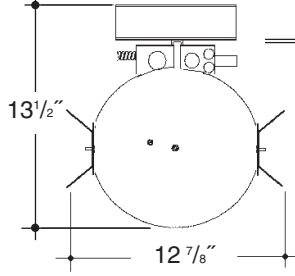
Type \_\_\_\_\_



## 4"x4" PAR20/PAR30 M.H. LENSED WALL WASH SQUARE

Heavy gauge electrogalvanized steel junction box, prewired and grounded with easy access from below. Listed for through branch circuit wiring. *UL Listed*. Thermal cutout provided.

Electronic ballast, Class P, 50/60 HZ-120/277, thermally protected, >90% Power Factor, 1.0 Ballast Factor, <15% THD. Class A sound rated. Minimum starting temperature -30°C/-20°F. *UL Listed* component.



*UL Listed*. Specification grade open rated, pulse rated 4KV, porcelain socket with nickel plated brass screw shell. Adjusts for 358° rotation and 35° elevation. High temperature wires connect to junction box.

8 1/2" Steel housing wrap with interlocking seams for strength. Housing is top relampable with screwdriver. Housing cap is aluminum for heat transfer to ensure maximum lamp life.

Square "Alzak" aperture trim, angle cut cone, die formed, mitred corners, self trimming flange and positive spring retention clips. Integral lens angled for wall wash. (-14-C73 Standard).

Integral 3/4" plaster frame.

**Rough in Kit – 4.5"x4.5" Metal Halide Adjustable Wall Wash (PAR30; PAR20 Enclosed Rated\* Lamps) \*Note: 'Enclosed Fixture Rated' lamp must be used.**  
Catalog Number **VGS44-MHO-ADJ-WW**

VGS44-MHO-ADJ-WW	Wattage	Ballast	Voltage	Options
	70W MAX. PAR30	E	1	Options E Electronic
	50W PAR30		2	Voltage 1 120 Volts
	35/39W PAR20, PAR30		4	2 277 Volts
				4 208 Volts
				Options ▲

**Finishing Kit – 4.5"x4.5" Square Angle Cut Spread Lens Wall Wash Reflector**  
Catalog Number **VGS4437**

VGS4437	Lens	Finish	Options	Finish (Factory Standard)
	-14 C73 (Standard)	SCL	PF	<b>SCL</b> Specular Clear "Alzak" with White Flange
	-FRO FROSTED	SGO		<b>SGO</b> Specular Gold "Alzak" with White Flange
		SGC		<b>SGC</b> Soft Glow Clear "Alzak" (Semi-Spec) with White Flange
		ECL		<b>ECL</b> Etched Clear "Alzak" (Haze) with White Flange
				Options ▲
				<b>PF</b> High Polished Flange

**Features**  
Manufactured and Listed to UL 1598, ETL and CSA standards.  
Suitable for Damp Locations  
Wet location under covered ceiling



▲ See Options and Finishes pages for a list of additional finishes and equipment.  
Vantage reserves the right to change components, finishes or design details in any manner which does not alter the installed appearance or reduce performance and intended function.



76 Community Avenue Plainfield, CT 06374  
voice (860)564.4512 fax (860)564.4854  
www.vantageitg.com

01/10