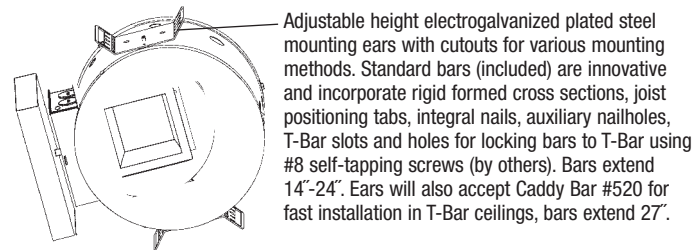


Architectural Squares

Job Name _____

Type _____

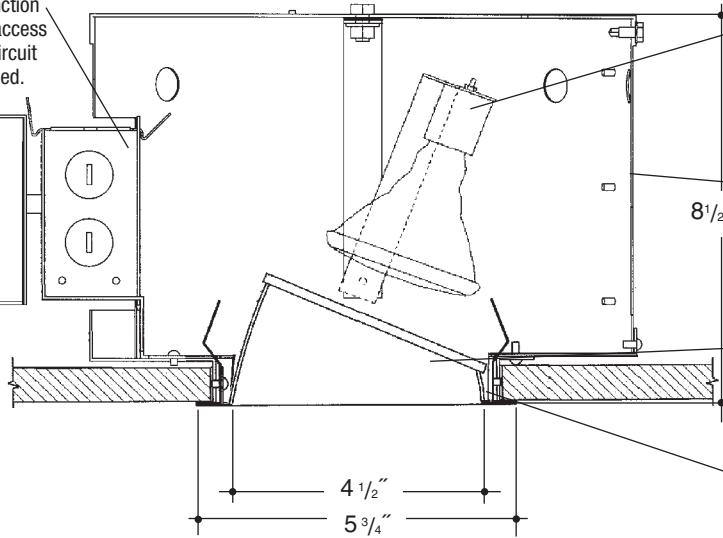
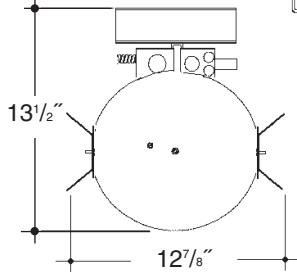


Adjustable height electrogalvanized plated steel mounting ears with cutouts for various mounting methods. Standard bars (included) are innovative and incorporate rigid formed cross sections, joist positioning tabs, integral nails, auxiliary nailholes, T-Bar slots and holes for locking bars to T-Bar using #8 self-tapping screws (by others). Bars extend 14"-24". Ears will also accept Caddy Bar #520 for fast installation in T-Bar ceilings, bars extend 27".

4"x4" PAR20/PAR30 M.H. ADJUSTABLE SQUARE

Heavy gauge electrogalvanized steel junction box, prewired and grounded with easy access from below. Listed for through branch circuit wiring. *UL Listed*. Thermal cutout provided.

Electronic ballast, Class P, 50/60 HZ-120/277, thermally protected, >90% Power Factor, 1.0 Ballast Factor, <15% THD. Class A sound rated. Minimum starting temperature -30°C/-20°F. *UL Listed* component.



UL Listed. Specification grade open rated, pulse rated 4KV, porcelain socket with nickel plated brass screw shell. Adjusts for 358° rotation and 35° elevation. High temperature wires connect to junction box.

Steel housing wrap with interlocking seams for strength. Housing is top relampable with screwdriver. Housing cap is aluminum for heat transfer to ensure maximum lamp life.

Square "Alzak" aperture trim, angle cut, die formed, mitred corners, self trimming flange and positive spring retention clips.

Integral 3/4" plaster frame.

Rough In Kit – 4.5" x 4.5" Metal Halide Adjustable (PAR30; PAR20 Open Rated* Lamps) *Note: 'Open Fixture Rated' lamp must be used.
Catalog Number **VGS44-MHO-ADJ-PAR**

VGS44-MHO-ADJ-PAR

Wattage	Ballast	Voltage	Options
70W MAX. PAR30	E	1	
50W PAR30		2	
35/39W PAR20, PAR30		4	

Ballast	
E	Electronic
Voltage	
1	120 Volts
2	277 Volts
4	208 Volts
Options ▲	

Finishing Kit – 4.5" x 4.5" Square Angle Cut Open Reflector
Catalog Number **VGS4430**

VGS4430

Finish	Options
SCL	PF
SGO	
SGC	
ECL	
WHT	

Finish (Factory Standard)

SCL	Specular Clear "Alzak" with White Flange
SGO	Specular Gold "Alzak" with White Flange
SGC	Soft Glow Clear "Alzak" (Semi-Spec) with White Flange
ECL	Etched Clear "Alzak" (Haze) with White Flange
WHT	White with White Flange
Options ▲	
PF	High Polished Flange

Features

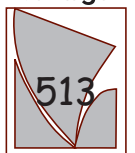
Manufactured and Listed to UL 1598, ETL and CSA standards.
Suitable for Damp Locations
Wet location under covered ceiling



▲ See Options and Finishes pages for a list of additional finishes and equipment.

Vantage reserves the right to change components, finishes or design details in any manner which does not alter the installed appearance or reduce performance and intended function.

Vantage



Luminaires

76 Community Avenue Plainfield, CT 06374
voice (860)564.4512 fax (860)564.4854
www.vantageitg.com

01/10