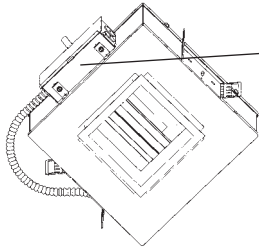


Architectural Squares

Job Name _____

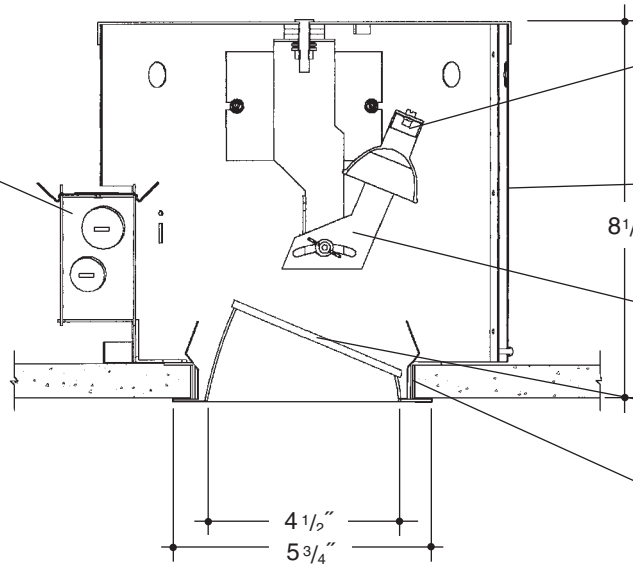
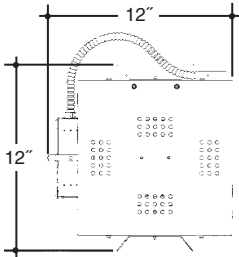
Type _____



Heavy gauge electrogalvanized steel junction box, prewired and grounded with easy access from below. Listed for through branch circuit wiring.

**4"x4"
LOW VOLTAGE
ADJUSTABLE
SQUARE**

Heavy gauge electrogalvanized steel junction box, prewired and grounded with easy access from below. Listed for through branch circuit wiring.



UL Listed socket with 450°C high temperature leads. Lamp holder designed to accept several different types of lens accessories, clear tempered lens standard. (See Options)

Steel housing wrap with interlocking seams for strength and vents for cool operation. Aluminum housing cap also transfers heat for maximum lamp life. Top relampable.

Positive locking, adjustable yolk assembly 45° vertical and 350° horizontal adjustment.

Square "Alzak" aperture trim, angle cut, die formed, mitred corners, self trimming flange and positive spring retention clips.

Integral 3/4" plaster frame.

Rough In Kit – 4.5" x 4.5" Square Low Voltage Adjustable (75W MR16; 50W MR16)

Catalog Number **VGS44ADJ-LV-MR16**

VGS44ADJ-LV-MR16

Wattage

75W MAX. MR16
50W MR16

Transformer

E

Voltage

1
2

Options

Transformer

E

Electronic

1

120 Volts

2

277 Volts

Options ▲

Must Specify Lamping

Finishing Kit – 4.5" x 4.5" Square Angle Cut Open Reflector

Catalog Number **VGS4430**

VGS4430

Finish

SCL
SGO
SGC
ECL
WHT

Options

PF

Lamp Lens Options

14

Finish (Factory Standard)

SCL

Specular Clear "Alzak" with White Flange

SGO

Specular Gold "Alzak" with White Flange

SGC

Soft Glow Clear "Alzak" (Semi-Spec) with White Flange

ECL

Etched Clear "Alzak" (Haze) with White Flange

WHT

White with White Flange

Options ▲

PF

High Polished Flange

Lamp Lens Options

14

C73 Lens (Standard)

Features

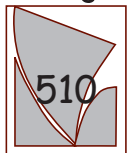
Manufactured and Listed to UL 1598, ETL and CSA standards.
Suitable for Damp Locations
Wet location under covered ceiling



▲ See Options and Finishes pages for a list of additional finishes and equipment.

Vantage reserves the right to change components, finishes or design details in any manner which does not alter the installed appearance or reduce performance and intended function.

Vantage



Luminaires

76 Community Avenue Plainfield, CT 06374
voice (860) 564.4512 fax (860) 564.4854
www.vantageitg.com

01/10